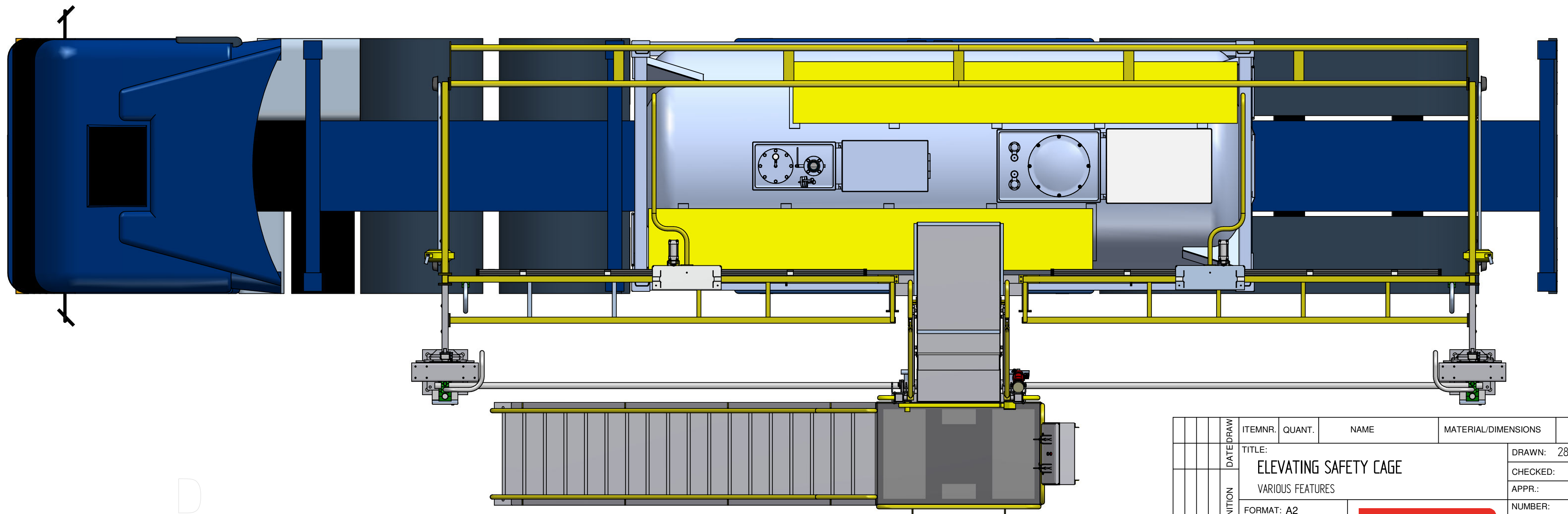
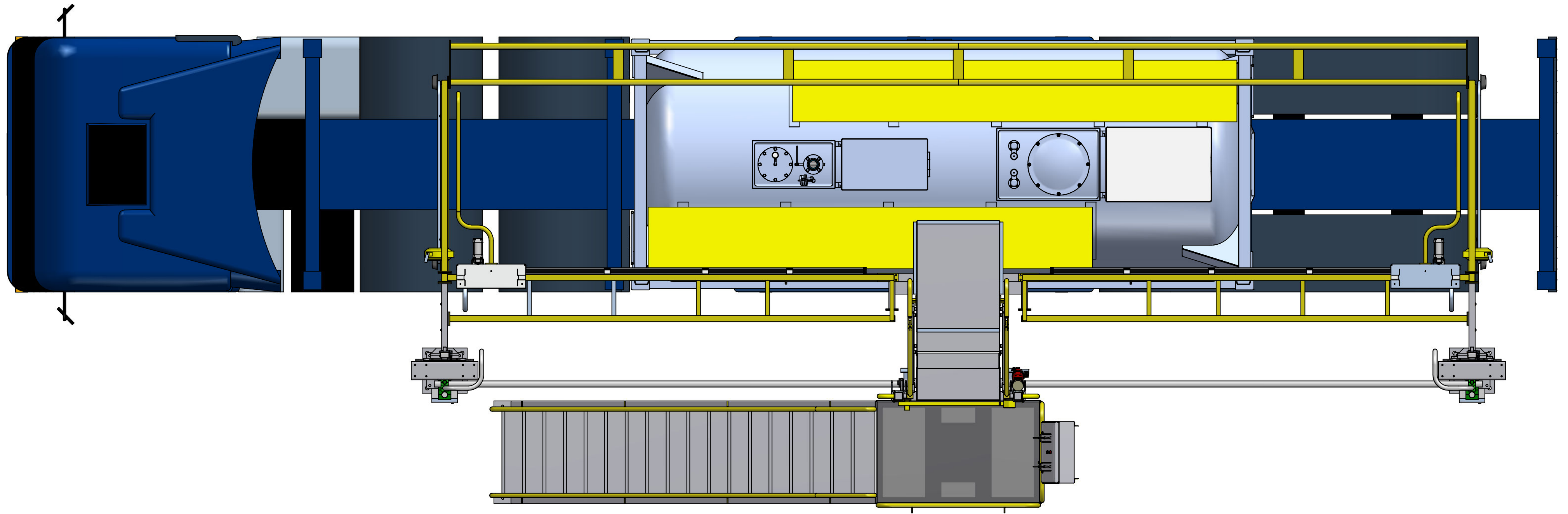
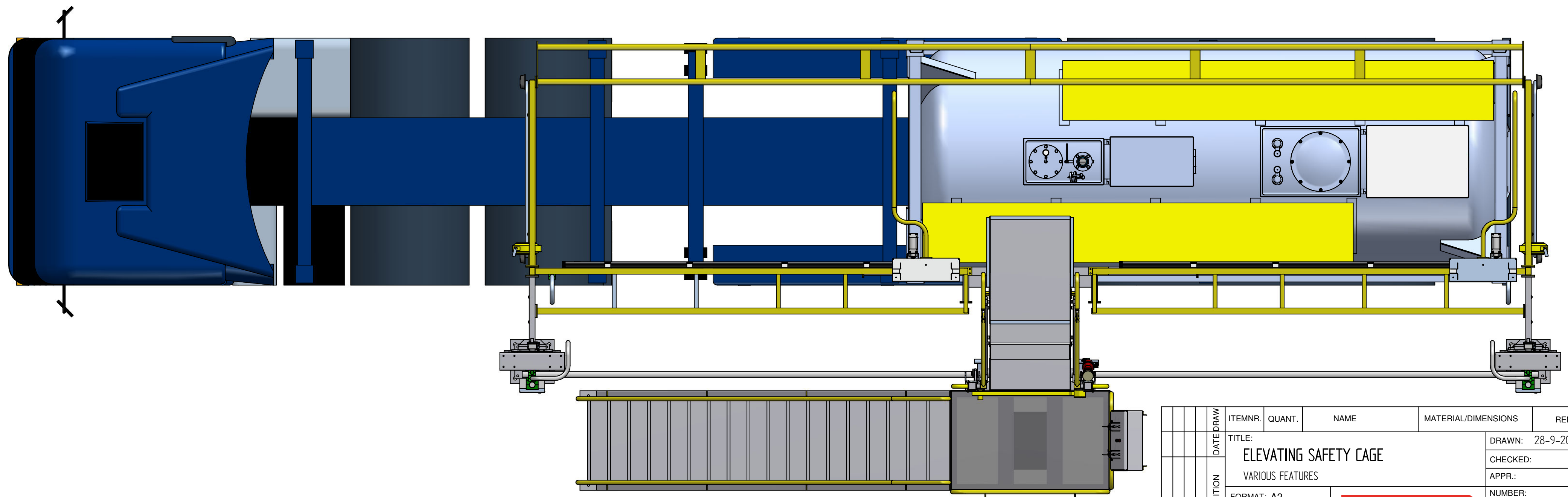
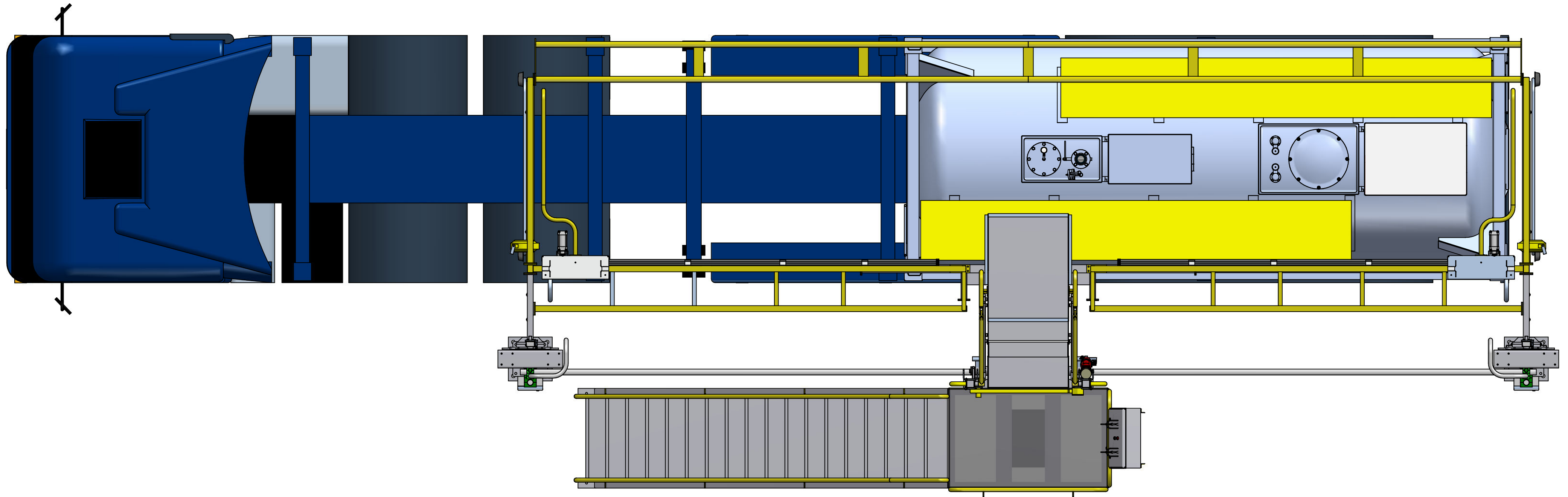


MOD	DEFINITION	DATE/DRAW	ITEMNR.	QUANT.	NAME	MATERIAL/DIMENSIONS	REMARKS
					TITLE: <b>ELEVATING SAFETY CAGE</b>		DRAWN: 28-9-2021 AD
					VARIOUS FEATURES		CHECKED:
					FORMAT: A2		APPR.:
					SCALE:		NUMBER: Q.S.C.06.E
					Copyright © WLT BV All rights reserved		SHEET: 1/9
							Measures without tolerance ISO/TC3-1961



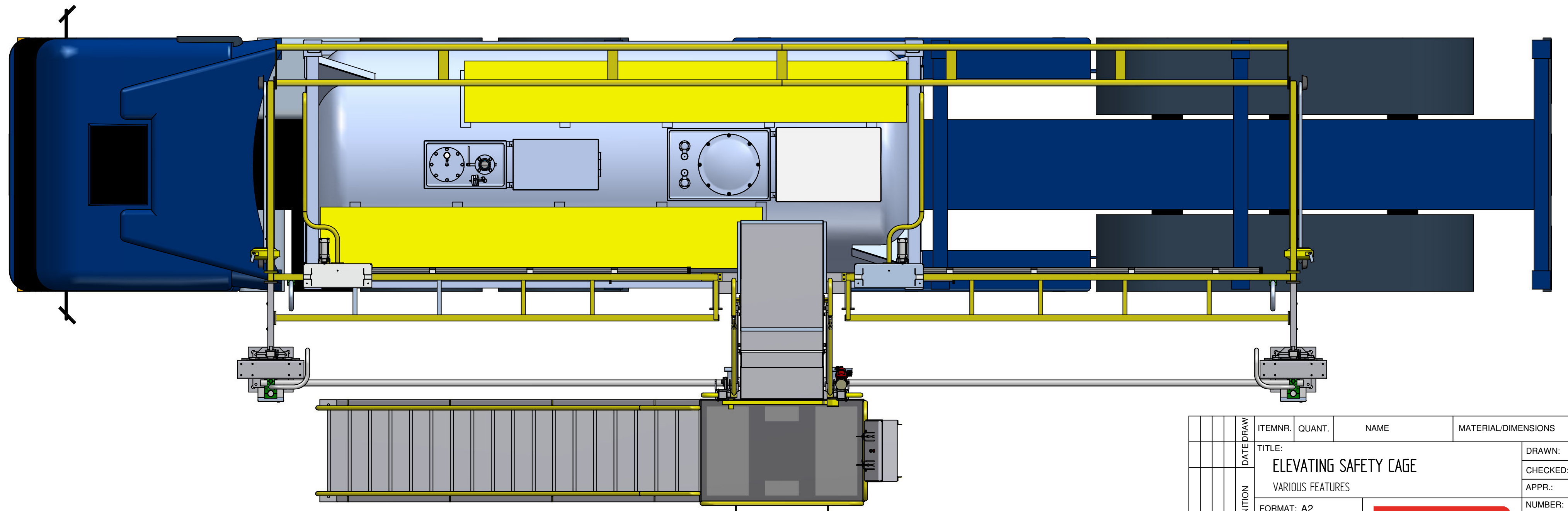
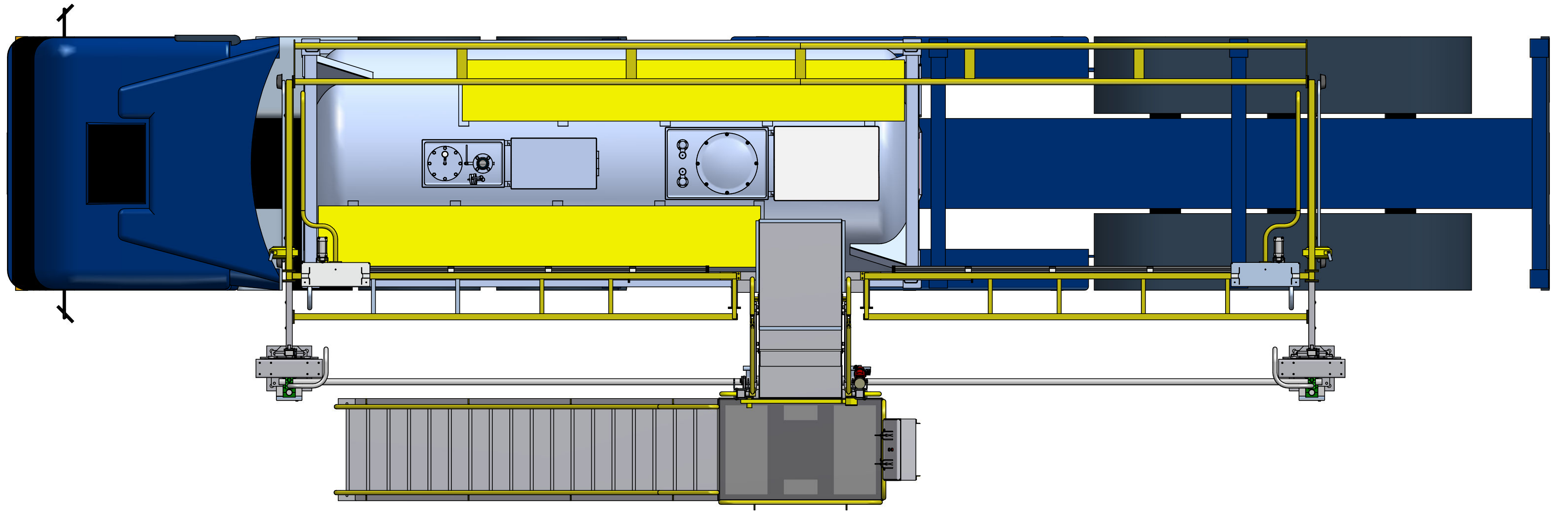
D

MOD	DEFINITION	DATE/DRAW	ITEMNR.	QUANT.	NAME	MATERIAL/DIMENSIONS	REMARKS
					TITLE: <b>ELEVATING SAFETY CAGE</b>		DRAWN: 28-9-2021 AD
					VARIOUS FEATURES		CHECKED:
					FORMAT: A2		APPR.:
					SCALE:		NUMBER: Q.S.C.06.E
					Copyright © WLT BV All rights reserved		SHEET: 2/9
							Measures without tolerance ISO/TC3-1961

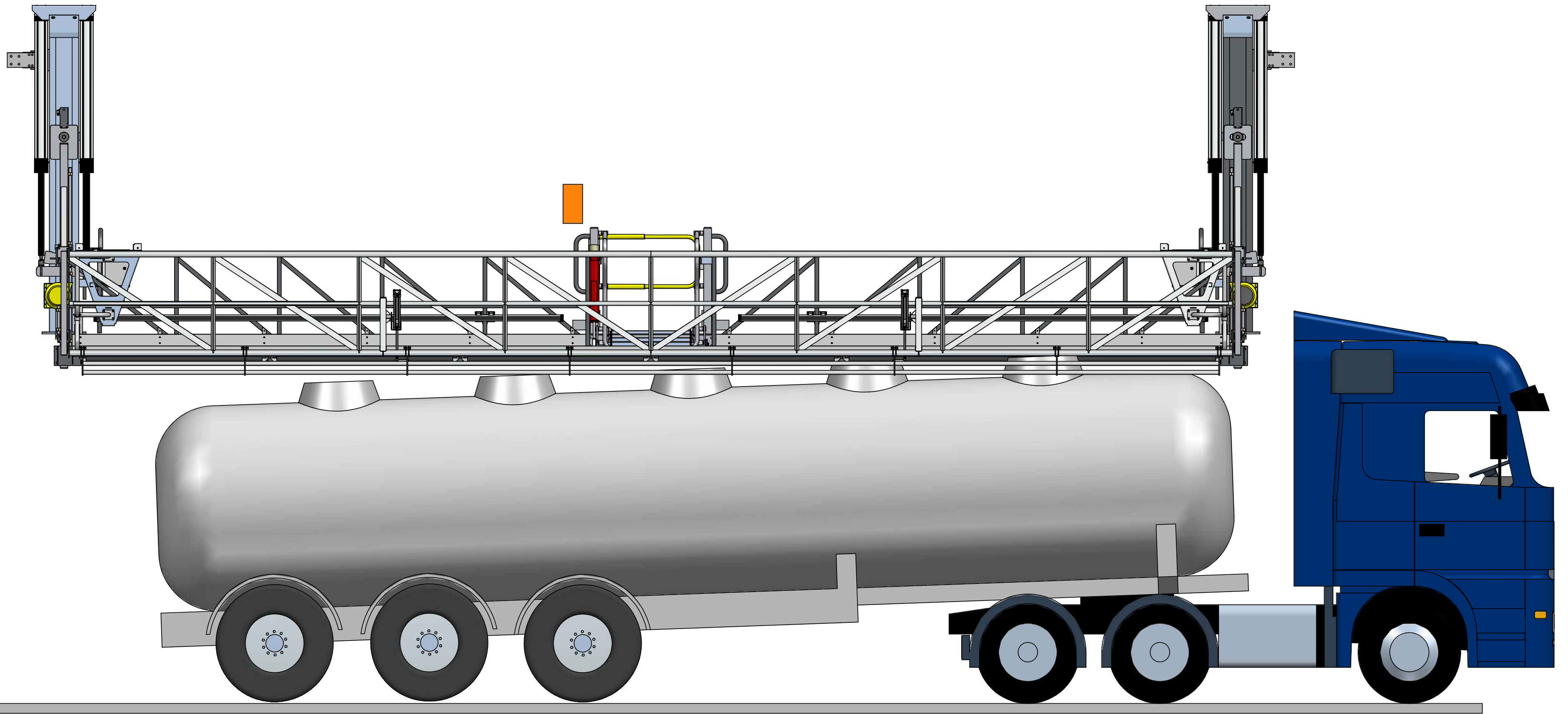


MOD	DEFINITION	DATE/DRAW	ITEMNR.	QUANT.	NAME	MATERIAL/DIMENSIONS	REMARKS
					TITLE: <b>ELEVATING SAFETY CAGE</b>		DRAWN: 28-9-2021 AD
					VARIOUS FEATURES		CHECKED:
					FORMAT: A2		APPR.:
					SCALE:		NUMBER: Q.SC.06.E
					Copyright © WLT BV All rights reserved		SHEET: 3/9
							Measures without tolerance ISO/TC3-1961



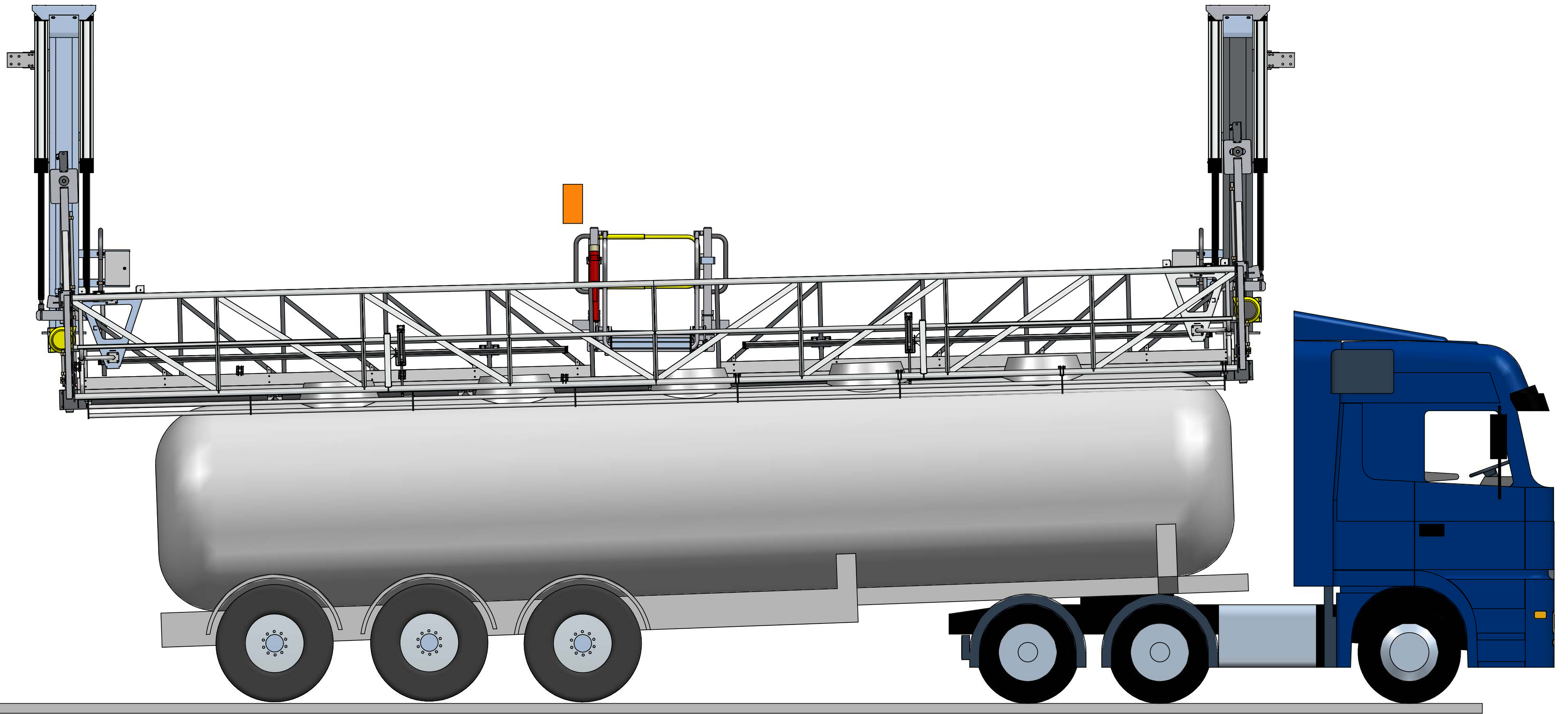


MOD	DEFINITION	DATE/DRAW	ITEMNR.	QUANT.	NAME	MATERIAL/DIMENSIONS	REMARKS
					TITLE: <b>ELEVATING SAFETY CAGE</b>		DRAWN: 28-9-2021 AD
					VARIOUS FEATURES		CHECKED:
					FORMAT: A2		APPR.:
					SCALE:		NUMBER: <b>Q.S.C.06.E</b>
					Copyright © WLT BV All rights reserved		SHEET: 4/9
							Measures without tolerance ISO/TC3-1961

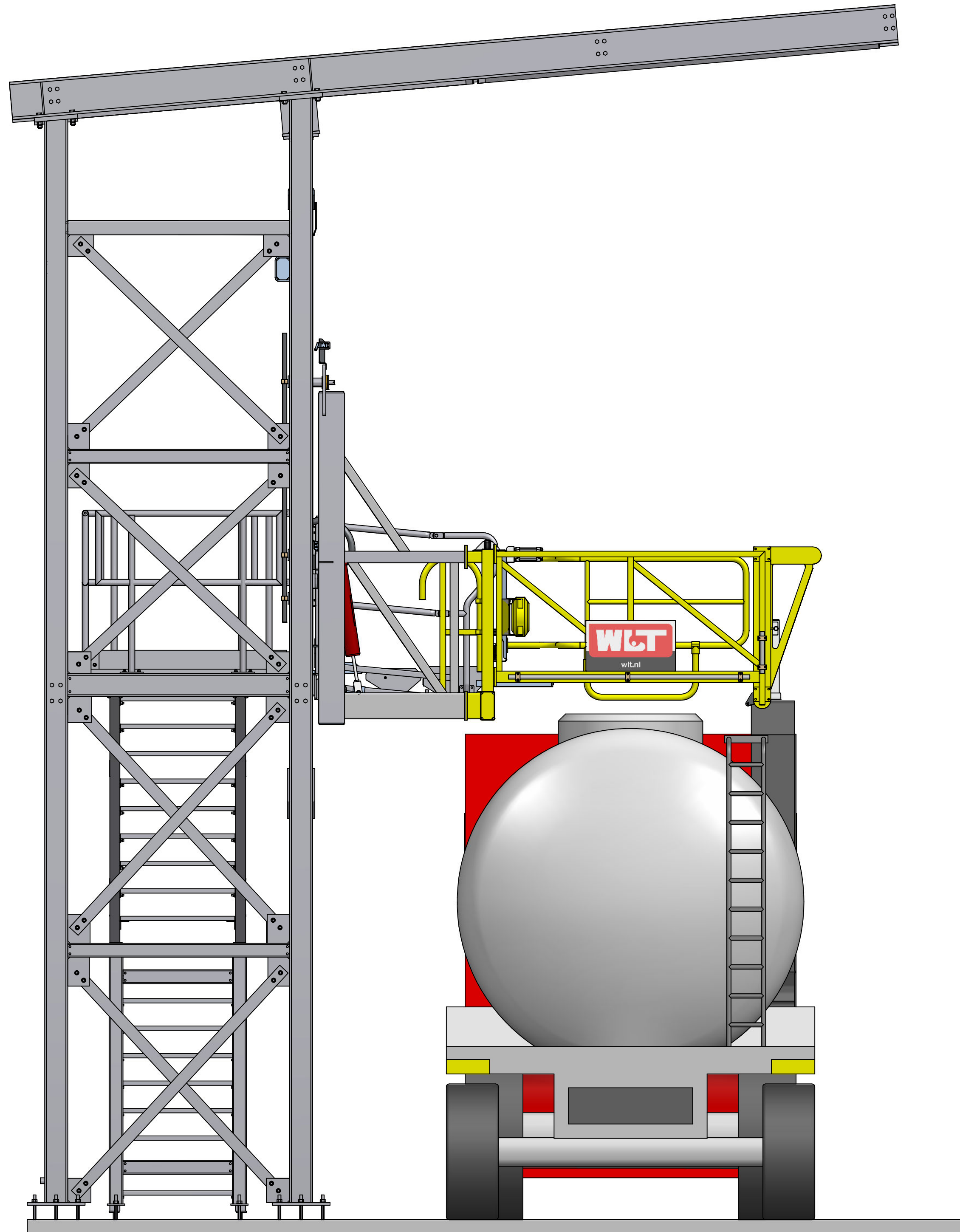


MOD	DEFINITION	DATE/DRAW	ITEMNR.	QUANT.	NAME	MATERIAL/DIMENSIONS	REMARKS
					TITLE: <b>ELEVATING SAFETY CAGE</b>		DRAWN: 28-9-2021 AD
					VARIOUS FEATURES		CHECKED:
					FORMAT: A2		APPR.:
					SCALE:		NUMBER: Q.S.C.06.E
					Copyright © WLT BV All rights reserved		SHEET: 5/9
							Measures without tolerance ISO/TC3-1961

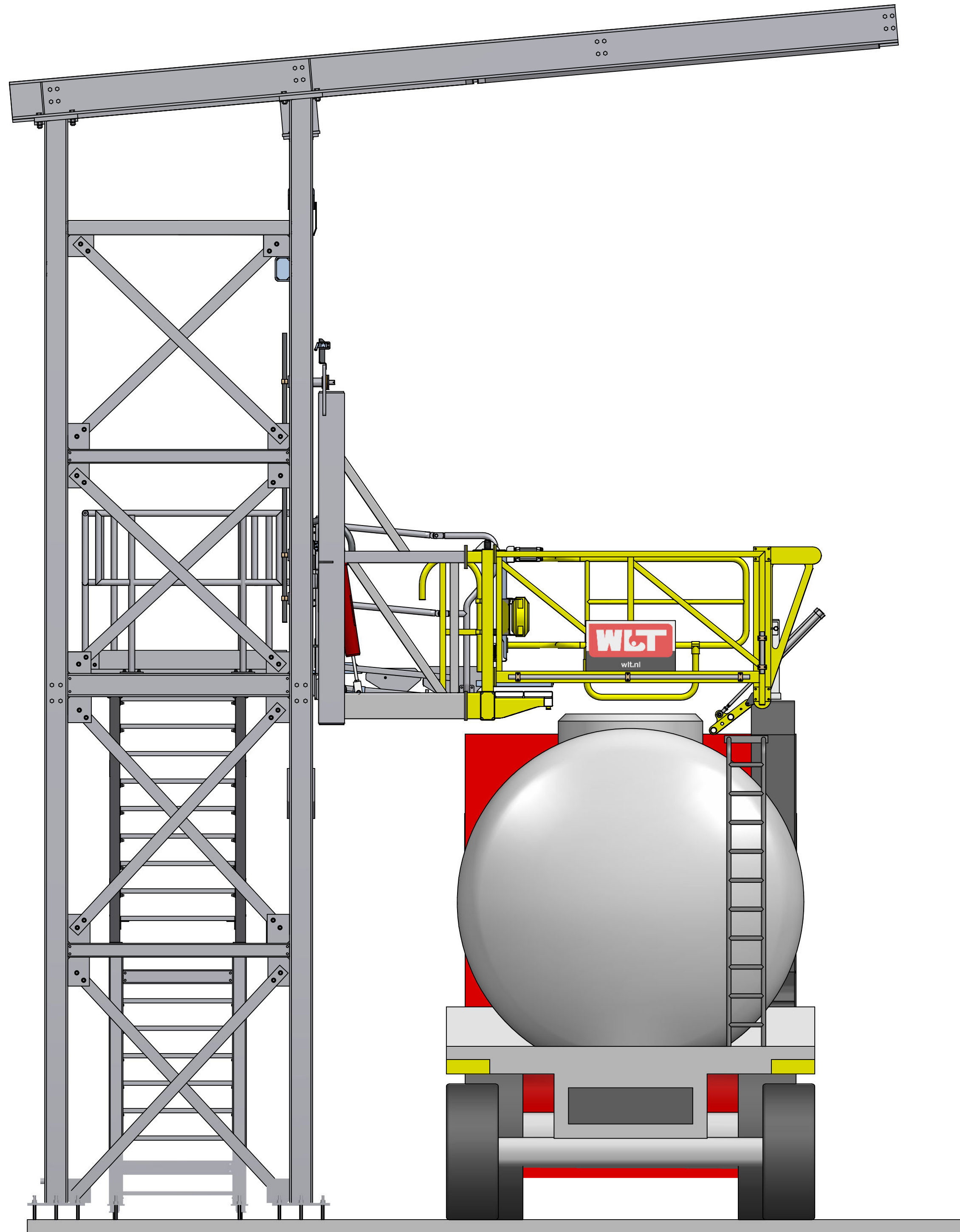




MOD	DEFINITION	DATE/DRAW	ITEMNR.	QUANT.	NAME	MATERIAL/DIMENSIONS	REMARKS
					TITLE: <b>ELEVATING SAFETY CAGE</b>		DRAWN: 28-9-2021 AD
					VARIOUS FEATURES		CHECKED:
					FORMAT: A2		APPR.:
					SCALE:		NUMBER: Q.S.C.06.E
					Copyright © WLT BV All rights reserved		SHEET: 6/9
							Measures without tolerance ISO/TC3-1961

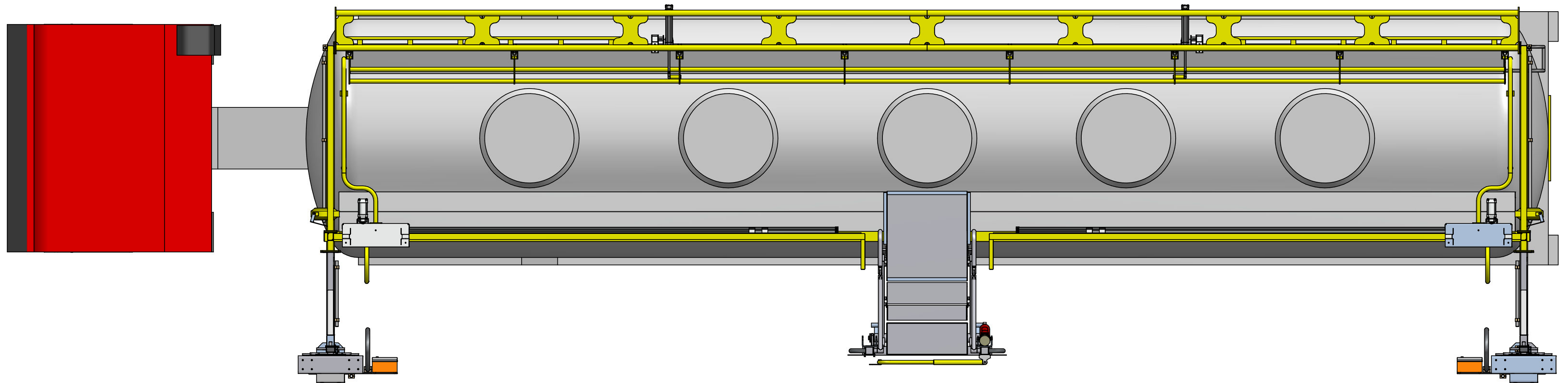


MOD	DEFINITION	DATE/DRAW	ITEMNR.	QUANT.	NAME	MATERIAL/DIMENSIONS	REMARKS
					TITLE: <b>ELEVATING SAFETY CAGE</b>		DRAWN: 28-9-2021 AD
					VARIOUS FEATURES		CHECKED:
					FORMAT: A2		APPR.:
					SCALE:		NUMBER: <b>Q.S.C.06.E</b>
					Copyright © WLT BV All rights reserved		SHEET: 7/9 Measures without tolerance ISO/TC3-1961



MOD	DEFINITION	DATE/DRAW	ITEMNR.	QUANT.	NAME	MATERIAL/DIMENSIONS	REMARKS
					TITLE: <b>ELEVATING SAFETY CAGE</b>		DRAWN: 28-9-2021 AD
					VARIOUS FEATURES		CHECKED:
					FORMAT: A2		APPR.:
					SCALE:		NUMBER: <b>Q.S.C.06.E</b>
					Copyright © WLT BV All rights reserved		SHEET: 8/9
							Measures without tolerance ISO/TC3-1961





MOD	DEFINITION	DATE/DRAW	ITEMNR.	QUANT.	NAME	MATERIAL/DIMENSIONS	REMARKS
					TITLE: <b>ELEVATING SAFETY CAGE</b> VARIOUS FEATURES		DRAWN: 28-9-2021 AD
					FORMAT: A2		CHECKED:
					SCALE:		APPR.:
					Copyright © WLT BV All rights reserved		NUMBER: Q.S.C.06.E
							SHEET: 9/9
							Measures without tolerance ISO/TC3-1961