

HPM7000

Hydraulic Data Logger

The HPM7000 series, is a highly versatile portable hydraulic data logger and the evolution of the HPM6000. It is ideal for diagnostic testing of hydraulic systems, use on hydraulic test benches, pre-dispatch inspection or for Research and Development (R&D). There are a variety of different data logging modes with the ability to data log up to 16 million measured values per test at a variable interval from 1 ms, with a total possible storage size of 12GB (approx. 250 measurements).

The base model: enables you to simultaneously measure up to 48 Webtec CAN channels. Alternatively, up to 5 External CANOpen channels can be connected. Two frequency inputs or Digital Input/ Digital Output are also possible thanks to a dual-function connector.

Modular upgrades: The HPM7000 features a unique modular system which means two input Modules can be added or changed by the user, allowing you to upgrade the device over time to meet the needs of the most demanding application.

The CAN Input Module: allows the connection of up to 48 CAN, CANOpen, J1939 or any mixture of several CAN protocols in a passive way (no power is supplied to the sensors from this module). This allows the user to 'listen' to the other CAN signals travelling on a bus, without disturbing them.

The Analogue Input Module: enables back compatibility with sensors that have Sensor Recognition (SR). It also enables connection to current (e.g. 0-20 mA or 4-20 mA) and/or voltage (e.g. 0-5, 0-10 V) sensors.

The 7-inch colour touch display is suitable to use with gloves and additional large tactile buttons at the right of the screen ensure operation even in adverse conditions. The screen can be configured to display the readings in numerical, bar graph, dials and graphical display mode.

Analysis of measurements: can be done thanks to two cursors that can be inserted to obtain measured and delta values. All data can be exported to a PC running HPMComm 7.5 for further analysis or storage off the unit.

Connecting to a PC: USB slave and USB host allow the unit to stream to a PC or laptop and allow for the connection of additional storage. The HPM7000 can also be controlled and monitored remotely using the LAN connection and a VNC remote desktop application which runs on a PC.

The HPM7000 is loaded with technology, yet is simple to configure and easy to use

Specifications

Ambient Temperature:	-10 to 50 °C, 14 to 122 °F
Memory:	12GB
Ports:	USB device (data transmission between device and PC) USB host 1 (connection with external storage media) USB host 2 (connection with external storage media) LAN (connection with network cable)
Material:	Body materials: ABS/PC (thermoplastic) Body Protective Materials: TPE (thermoplastic elastomer)
Weight:	1.88 kg, 4.1 lb (without input modules)
Mounting:	Carrying Strap, Folding Stand and VESA standard 100 x 100 mm / M4 metric
Electrical IP Rating:	IP65
Battery:	Lithium-ion pack, +14.4 Vdc/3250 mAh
External Power Supply:	110/240 Vac - 24 Vdc/3750 mA
Connector Type:	3 pin

Make it **BLUE**®

Features

- Complete range of sensors - pressure, flow, temperature, RPM, contamination.
- Webtec CAN sensors for plug and play functionality
- Third Party CAN sensors (External CAN) can be displayed and logged. A CAN Monitor assists during installation of CAN channels and analysis of the CAN bus.
- Two slots for Input Modules (CAN/J1939 and Analogue) are available on the Base Model. These can be added/changed by the user.
- IP65 and rubberised case surround for protection in harsh environments
- Complete with HPMComm 7.5 - PC software. Connectivity - USB, Ethernet.
- Illuminated and anti-glare, 7 inch touch screen colour display.
- Foldable stand and VESA-standard points on the back for wall mounting on fix installations (e.g. Test Benches)



Ordering Codes

MODEL NUMBER	PART TYPE	DESCRIPTION
HPM7000-BS	Measuring Device	Base model without input modules. 2 CAN bus networks, 24 Webtec CAN bus channels each. Alternative at CAN Y up to 5 external CANopen channels. Dual-function input (D-IN/D-OUT or Frequency).
HPM7000-IM-CAN	Input Module	CAN input module. 2 CAN bus networks, 24 CAN bus channels each for connection with CAN (CAN 2.0 A, CAN 2.0 B) systems like CANopen, CAN generic and SAE-J1939.
HPM7000-IM-ANO	Input Module	Analogue input module. 3 SR sensors (up to 6 channels), 2 configurable auxiliary inputs

Additional Specification/Functional Specification

Input/Output

Base Model CAN sensor Input: 2 CAN bus networks, 24 Webtec CAN bus channels each. Alternative at CAN Y up to 5 external CANopen channels. Baudrate at different CAN adjustable. 24 Vdc power supply/ max. 250 mA. Internal termination impedance 120 Ohm fixed. Supports CAN 2.0 A/CAN 2.0 B.

Connector Type: M12x1, 5 pin with SPEEDCON®, Plug

Sampling rate: 1ms = 1000 measurement values/s

Base Model D-IN/OUT FREQ.1/2: Dual-function input, which can be used either as DIGITAL-IN or DIGITAL-OUT, or through a changeover in software, two frequency inputs are made available.

Connector Type: M12x1, 5 pin with SPEEDCON®, Socket

Supply: 24 Vdc, 80 mA, galvanic isolated

Frequency Range: 0 Hz to 20 kHz

Signal Level: Low: 0-1.4 V, high: 3-30 V

Precision: $\leq \pm 0.1\%$

Input Module Analogue: (HPM7000-IM-ANO)

3 sensor inputs (up to 6 channels) with sensor recognition for Webtec SR sensors

Connector Type: 5 pin, push-pull, combination connector/socket

Sampling Rate: 1 ms = 1000 measured values/sec.

2 sensor inputs (analogue) for auxiliary sensors measuring current and voltage

Connector Type: M12x1, 5 pin, Socket.

Sampling Rate: 1 ms = 1000 measured values/sec.

Voltage input range: -10 to 10 Vdc

Current input range: 0 to 20 mA / 4 to 20 mA

Supply to ext. Sensors: +24 Vdc/max. 100 mA

Accuracy: $\pm 0.1\%$ FS

Weight: 0.152 kg

Input Module CAN: (HPM7000-IM-CAN)

2 CAN bus networks, 24 CAN bus channels each for connection with CAN (CAN 2.0 A, CAN 2.0 B) systems like CANopen, CAN generic and SAE-J1939. Mixed mode of several CAN protocols possible.

Connector Type: M12x1, 5 pin with SPEEDCON®, Socket

Supply: Passive. Each CAN port galvanically isolated.

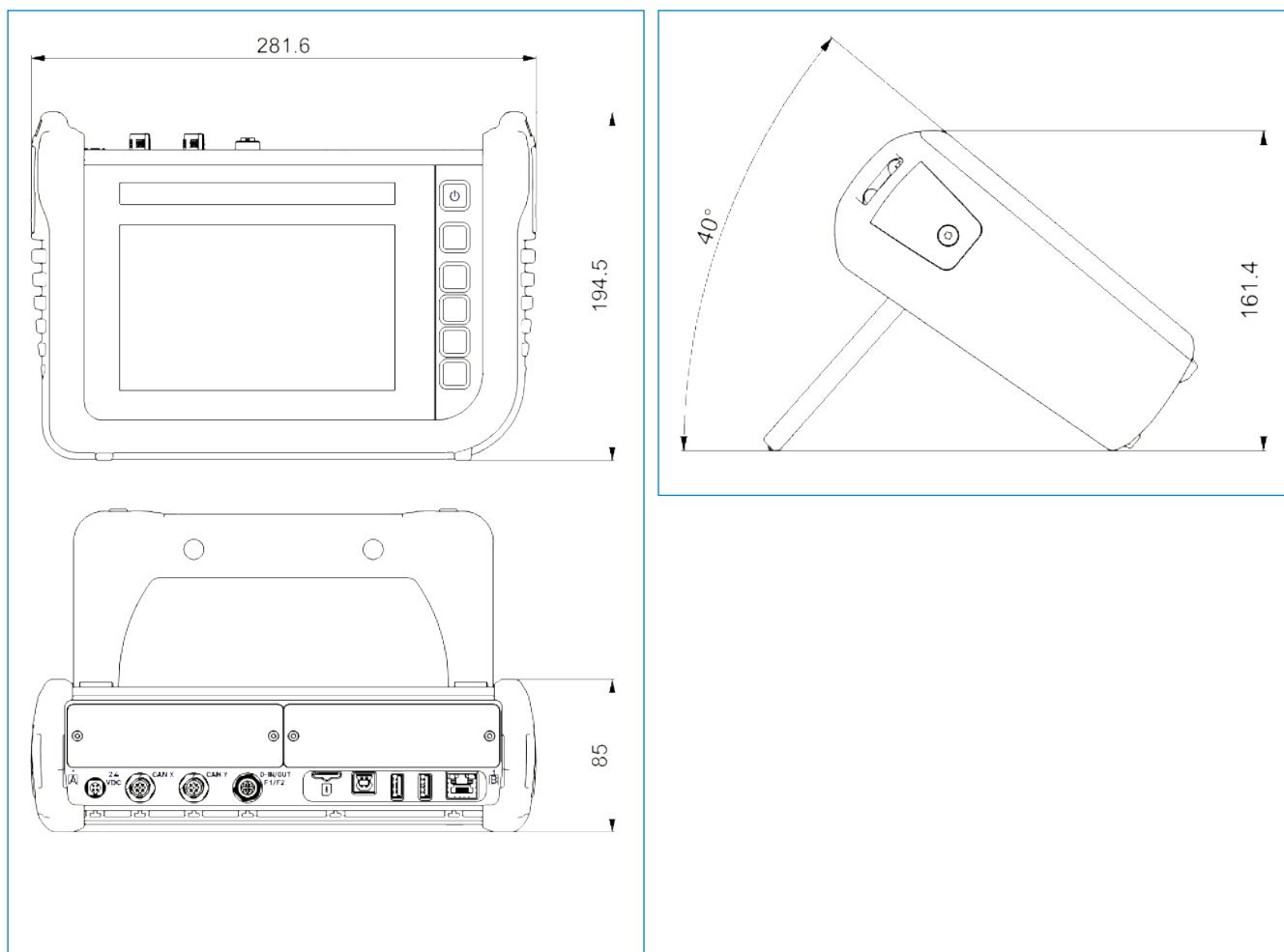
Termination Impedance: 120 ohm, selectable ON or OFF in software.

Weight: 0.127 kg

Definitions:

Sensor: a physical device (e.g. Pressure Transducer, Turbine Flow Meter, etc.)

Channels: Number of variables that a sensor is capable to measure (e.g. Webtec Turbine Flow Meters with CAN output measure flow and temperature therefore two channels are used)



PC Software HPMComm7.5

- Compatible with Windows 10 (32- and 64-bit)
- Zoom functions
- Conjunction of measurement curves
- Cursor functions
- Export function
- Extensive filter function
- Remote connection/remote control of the HPM7000
- Freely definable calculation channels
- Online measurement
- Easy operation

The recorded curves can be represented in a diagram. Shifting of the curves allows for accurate analysis of the hydraulics. A performance curve can be created to evaluate a pump. Pressure losses and leaks are detected by generating the difference values of pressure curves.

With the cursor, a hydraulic procedure can be examined relating to the time. Comprehensive information is available for each curve.

Changing the scale factor and units allows for any subsequent adjustment to be shown in a diagram. Smoothing of the measurement curve and mathematical operations are important functions in the analysis of the hydraulic system. The date, time, and any notes are documented with each measurement, making subsequent allocation considerably easier. As a result, documentation and certificates can be generated quickly and in a cost-effective way since the PC software HPMComm can make use of all Windows features and benefits. All measurements can be exported in CSV format.

Current findings (pressure peaks, etc.) are visible during ongoing processes (online function).

Creation of certificates is easy thanks to tools to create and save a template (e.g. Company name, logo and address at the header or footer of the page) that can be used across multiple measurements or test results.