

LYNX Series Bottom Loading Coupler

The LYNX Series combines all of the best features of API couplers in one device to provide a superior and effortless bottom loading experience. Featuring stainless-steel components and coming in at 19 lbs. (8.6kg), the LYNX Series coupler is impressive by any measure.

From the moment you use LYNX, you will see the extraordinary attention to detail and superior quality that will enable the LYNX to provide outstanding performance, advanced safety, ease of service and long life.

Key Features

- 5-Year Warranty
- Fast in-field replacement of the main seals, on or off the arm
- Quick and easy disassembly of entire coupler through U-pin design
- Automatic latching
- U-pin is secured when the TTMA flange is fastened to prevent the pin from coming out during service
- A variety of seals available to suit a range of applications
- Two operating handle sizes to suit customer preference
- Four "true-interlocking" stainless-steel latches ensure secure coupling and maximum safety
- High-quality components including a stainless-steel collar and hard anodized aluminium body for increased service durability and life
- Nominal product leakage during disconnect increases site safety
- Low risk of leakage because of a proven seal design
- Ergonomic operating handle and carry loop results in less physical strain on users



LYNX

Ordering Information

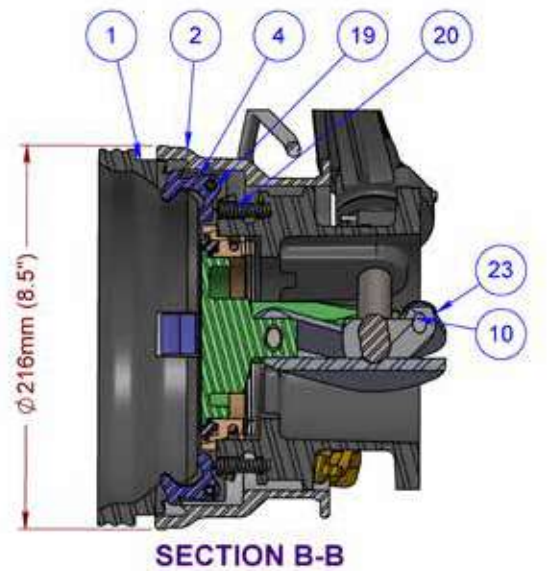
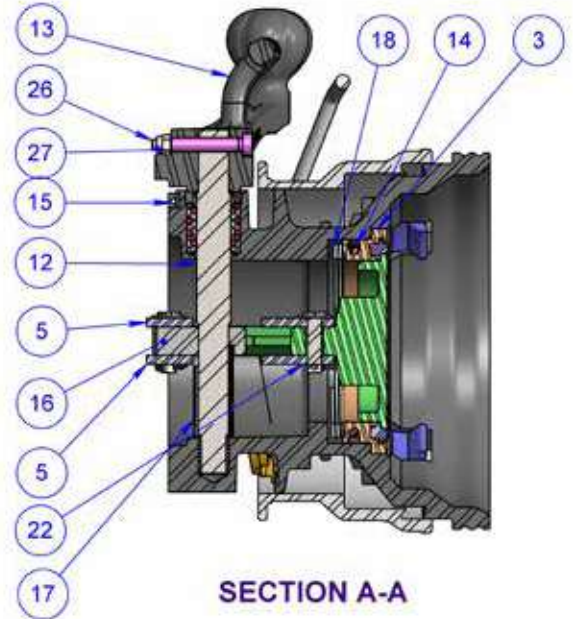
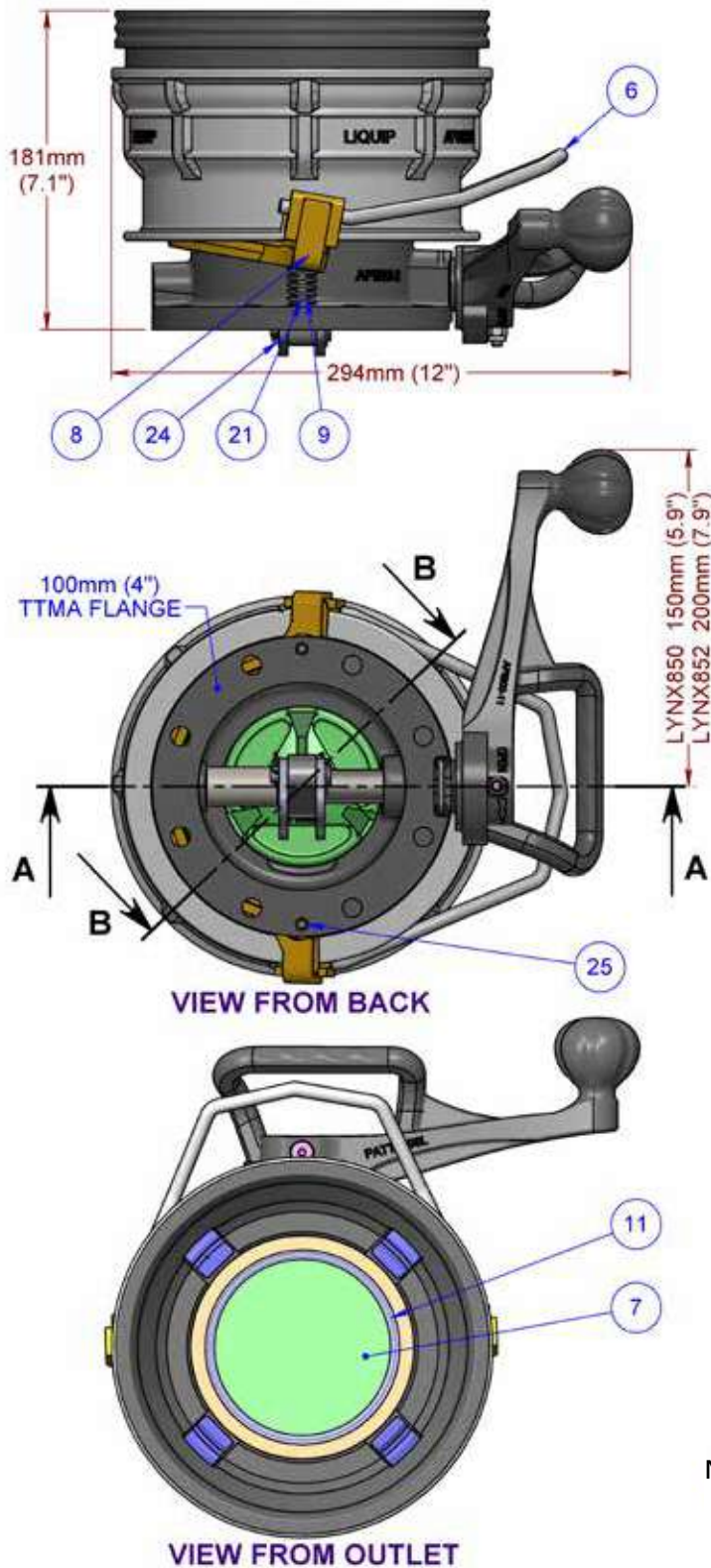
| | | |
|---|--|---|
| LYNX850 Short Handle, Viton B70 | LYNX852 Long Handle, Viton B70 | LYNX860 Short-Handle Drip Catcher, Viton B70 |
| LYNX850VG Short Handle, Viton GFLT | LYNX852VG Long Handle, Viton GFLT | LYNX862 Long-Handle Drip Catcher, Viton B70 |
| LYNX850C Short Handle, FFKM | LYNX852C Long Handle, FFKM | |
| | LYNX852G Long Handle, AVGAS Selective | |
| | LYNX852J Long Handle, Jet Selective | |

Note: Please see Page 5 for other seal options and for a list of spare parts available.

Specifications

| Part Number | Description |
|-----------------------|--|
| Handle Length | Short 5.9" (150mm) or Long 7.8" (200mm) |
| Seals | Viton B, Viton GFLT, FFKM or NBR - Nitrile (Other seals available on request) |
| Max Working Pressure | 80psi (5.5bar) (550 kPa.) |
| Product Test Pressure | 119psi (8.2bar) (820 kPa.) |
| Design Pressure | 363psi (25bar) (2500 kPa.) |
| Max Surge Pressure | 493psi (34bar) (3400 kPa.) |
| Operating Temperature | -4°F to 176°F (-20°C to 80°C) - Viton B70. -23°F to 176°F (-5°C to 80°C) - FFKM -40°F to 140°F (-40°C to 60°C) - Viton GFLT |
| Design Standard | API RP 1004 8th EDITION 2003 - Bottom Loading and Vapour Recovery; AS5602-2009 |
| Dismantling | Removal of one U-pin enables the shaft assembly and main poppet to be withdrawn |
| Mounting | <ul style="list-style-type: none"> • By industry standard 4" (100mm) TTMA Flange • 8 holes Ø7/16" on 5.8" PCD, 6.6" outside diameter (Ø11mm on 149mm PCD, 168mm OD) Use spring washers when mounting coupler as per common industry practice |
| Adjustment or Service | Refer to Maintenance Instructions document |
| Weight | 19 lbs. (8.6kg.) |

LYNX Series Bottom Loading Coupler



NOTE: LYNX852 Long Handle Shown