

Bottom- and Top loading arms for Liquefied gases

FEATURES AND BENEFITS

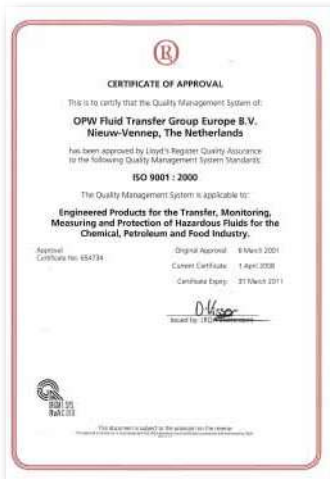
The comprehensive range of OPW Top- and Bottom loading arms for liquefied gases are designed to offer maximum flexibility and safety during (off)loading operations. Applications are found in the transfer of LPG, Gas condensate and similar media into Railcars or Tank trucks. Connections can be made at the rear, side or top. Typically consisting of a product and vapour arm the set is mounted on a stand post. A set generally consists of a 3"/dn80 product arm and 2"/dn50 vapour arm. For higher throughputs a 4"/dn100 product arm with 3"/dn80 vapour arm is available.

Shut-off or loading valve, purge- or relief line, safety break away coupler as well as position indication and parking lock are often selected as useful options. Coupling systems to accommodate any customer standard are available. When not in use the unit can be folded together for convenient, compact storage away from the traffic flow.



- **Dimensioned** to suit customers working envelope
- **Easy to handle**, smooth operation
- **Compact** storage when not in use
- **Balanced** end swivel assembly for easy handling
- **Swivels** equipped with grease nipple
- **Durable** construction
- **Available in** 2" / dn50, 3" / dn80 , 4" / dn100 with ASA or DIN flanges
- **Inverted** intermediate swivel and/or inlet orientation possible
- **Boom arm** can be made with upwards or downwards slope
- **Wide range** of swivel seal material available
- **Pre-balanced** at the factory to minimise installation and commissioning time
- **Alternative materials** of construction 316/316L Stainless Steel

CERTIFICATES



NEN-EN-ISO 9001:2000



PED 97/23/EC



ATEX 94/9/EC

PRODUCT SPECIFICATION

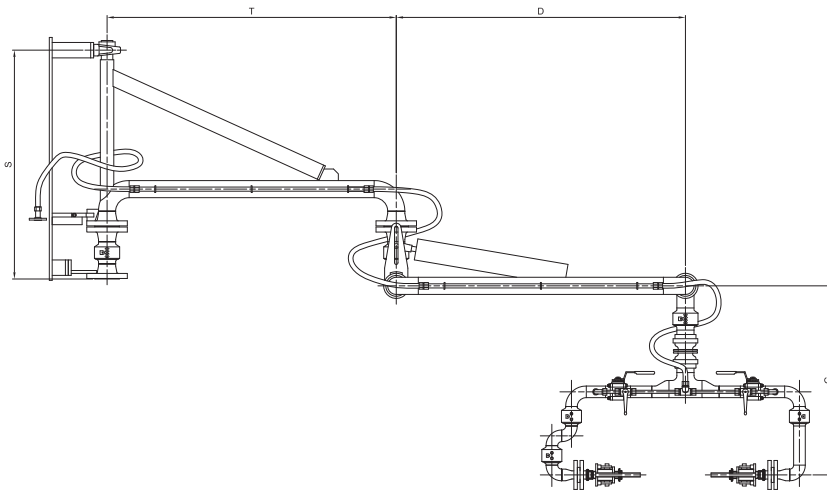
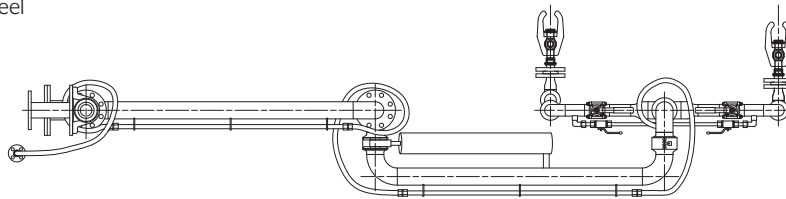
Materials of construction

Inlet swivel	Carbon steel
Intermediate swivel	Carbon steel
End swivel assembly	Carbon Steel
Swivel seals	Buna, EPDM, Fluorocarbon, PTFE
Boom arm	Carbon Steel
Primary arm	Carbon Steel
End assembly	Carbon Steel

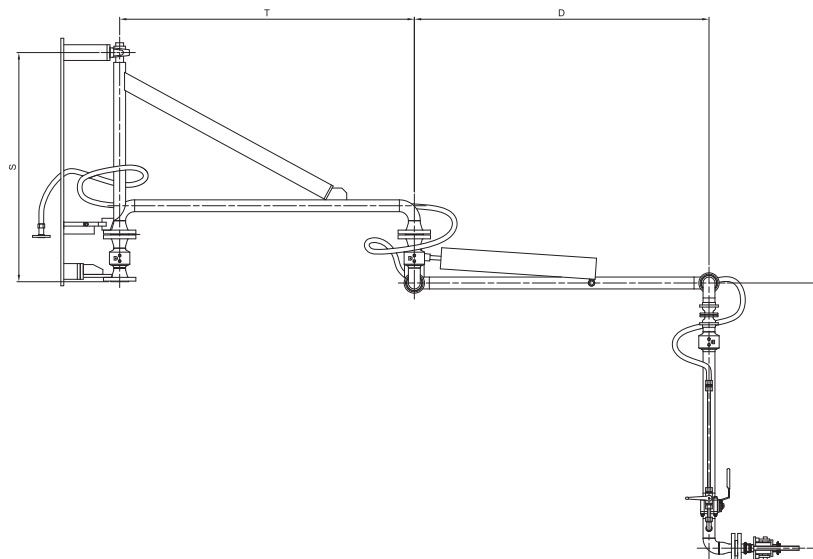
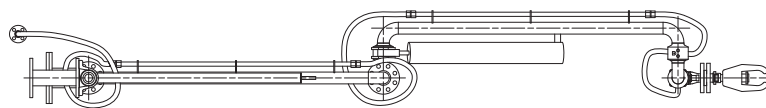
DIMENSIONS

Size	Dimensions (in mm)			
	D	G	S	T
3" x 2" dn80 x dn50	1500	1000	1400	1500
4" x 3" dn100 x dn80	1500	1000	1400	1500

Dimensions are indicative, other dimensions available



LPG top loading set



RELATED PRODUCTS

Article number	Description
GME	Grounding monitor
BAC-xxx	Emergency break away coupler, with break bolts or cable release mechanism
COU-xxx	Quick coupling system

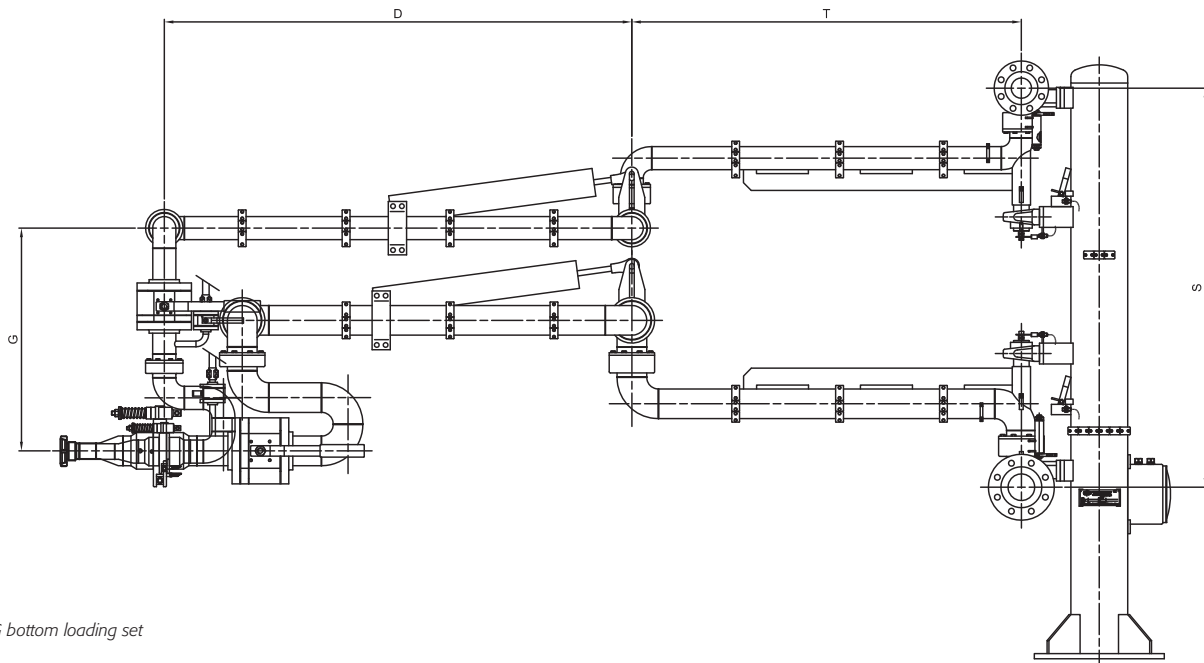
Optional accessories include: Position detection; Parking lock, Automated or manual ball valve, Emergency Break Away Coupler and many more, please consult factory for information and availability.



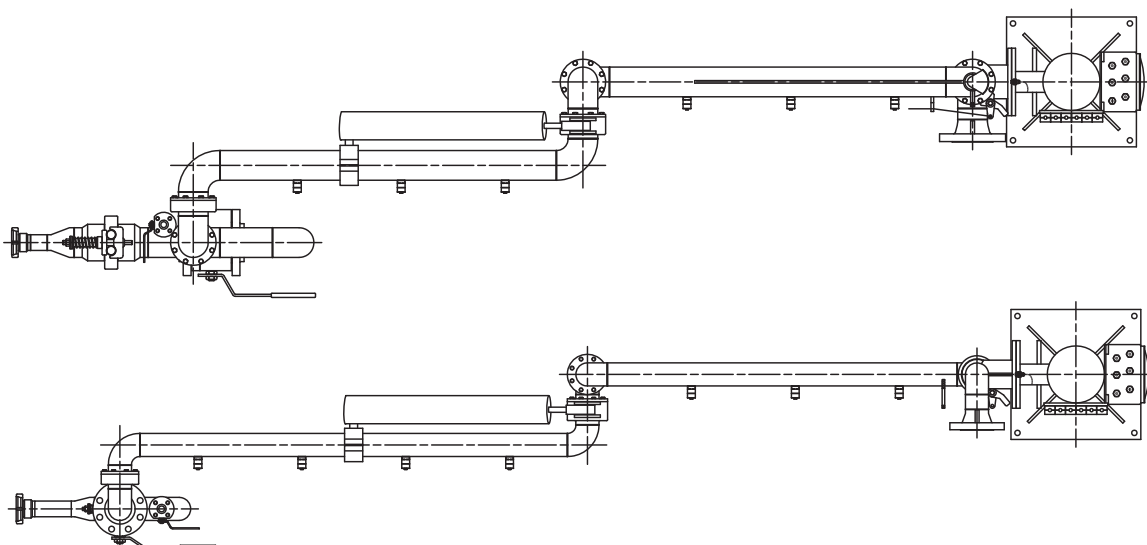
quick coupling system



emergency break away coupler



LPG bottom loading set



OPW Fluid Transfer Group: One Company, Five Brands



Dedicated engineered and patented solutions for pipe, tube and hose connections used for extreme applications high/low temperature & pressure and nuclear.

Examples: RapidLOK[™] for flange replacement; save vents and drains; locking quick connect; product recovery systems; cryogenic couplings; autoclave check valves ...

www.hiltap.com



Mechanical and electronic components and systems for the safe loading, transportation and offloading of hazardous fluids on road tankers. Examples: flat bottom API's; bottom valves; vapour recover valves; overflow prevention system; sealed parcel delivery system; onboard monitoring system; crossover prevention system ...

www.civacon.com



Mechanical and electronic components and systems for the safe storage, transfer and loading of hazardous fluids at chemical plants, refineries and terminals.

Examples: loading arms for fuels, chemicals, bitumen; rack monitoring system; quick disconnects (kamlok[®], autolok[™]); dry disconnects (epsilon[™], drylok[™], kamvalok[®]); floating suction assemblies ...

www.opw-es.com



Components and systems for the safe loading, transportation and offloading of hazardous fluids and dry bulk on pressure & non-pressure railroad tank cars and dry bulk road tankers.

Examples: pressure & vacuum relief valves; needle valves; top transfer valves; valve actuator systems; overflow prevention systems ...

www.midlandmfg.net



Components for pneumatic tank trailers, rail cars, chemical and pharmaceutical plants, and any application requiring the processing, movement and storage of dry bulk or liquid materials.

Example: butterfly valves; ball valves; sample systems; actuators; aeration systems; swing check valves ...

www.suresealinc.com



From the European Head office near Amsterdam The Netherlands, these 5 OPW Fluid Transfer Group brands are supported. In addition Loading Arms, Tank Truck equipment and its related accessories are designed and manufactured here to serve the OPW FTG Europe BV territory.

www.opw-ftg.nl