



GAMMON TECHNICAL PRODUCTS, INC.
 P.O. BOX 400 - 2300 HWY 34
 MANASQUAN, N.J. 08736

PHONE 732-223-4600
FAX 732-223-5778

WEBSITE www.gammontech.com
STORE www.gammontechstore.com

**STATIC BONDING
 CABLE REEL**

**BULLETIN 163
 (10-19)**

NEXT GENERATION STATIC BONDING CABLE REEL 4-WAY MOUNTING BRACKET

- | | |
|---------------|--------------------|
| SMALL | MANUAL REWIND |
| DURABLE | ADJUSTABLE TENSION |
| INEXPENSIVE | LIGHTWEIGHT |
| HIGH CAPACITY | RUST-FREE BRACKETS |

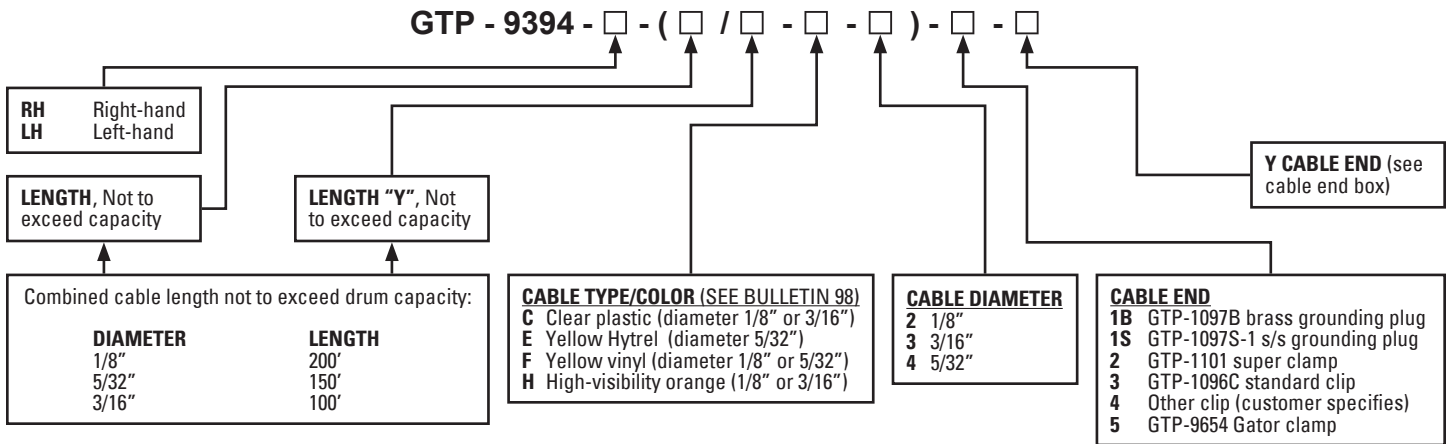
The simplest form of static cable reel is the manual rewind design. This simple reel incorporates all the features you want - and need. Can be mounted on a horizontal or vertical surface.

CONSTRUCTION:

- Static conductive nylon discs
- Aluminum hub with conductive corrosion protection
- Stainless axle, and bracket guide
- 1/8" OD cable - over 200'
- 3/16" OD cable - over 100'
- Height: 9 5/8"
- Width: 6 3/8"
- Depth: 9"
- Mounting plate: 7" x 2"
- Weight (without cable): 5 lbs.



HOW TO ORDER



EXAMPLE: GTP-9394-RH-(65/15-F-2)-3-3

- Right-hand reel
- Length is 65' with a 15' Y branch as shown
- Color is yellow vinyl with a 1/8" diameter
- GTP-1096C clip at cable end and Y end