

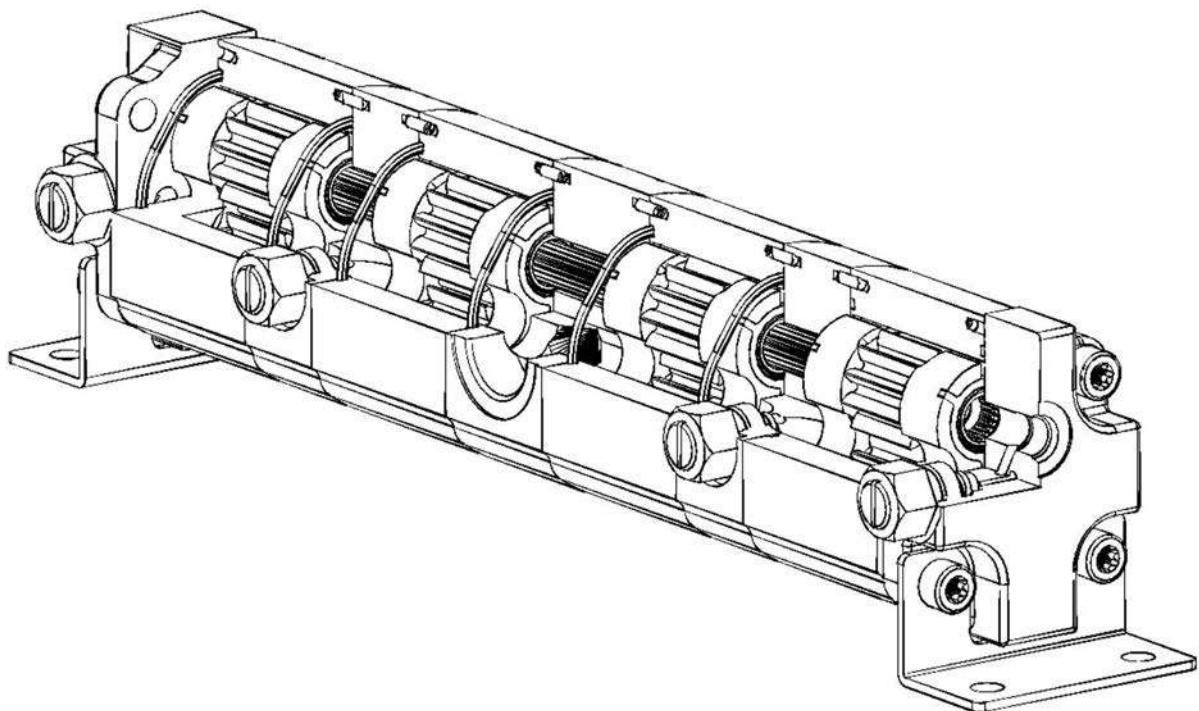
Displacement

from 2 up to 6 sections
balanced, unbalanced
from 0.8 to 31 ccm

FLOW DIVIDERS
DP

TABLE OF CONTENTS

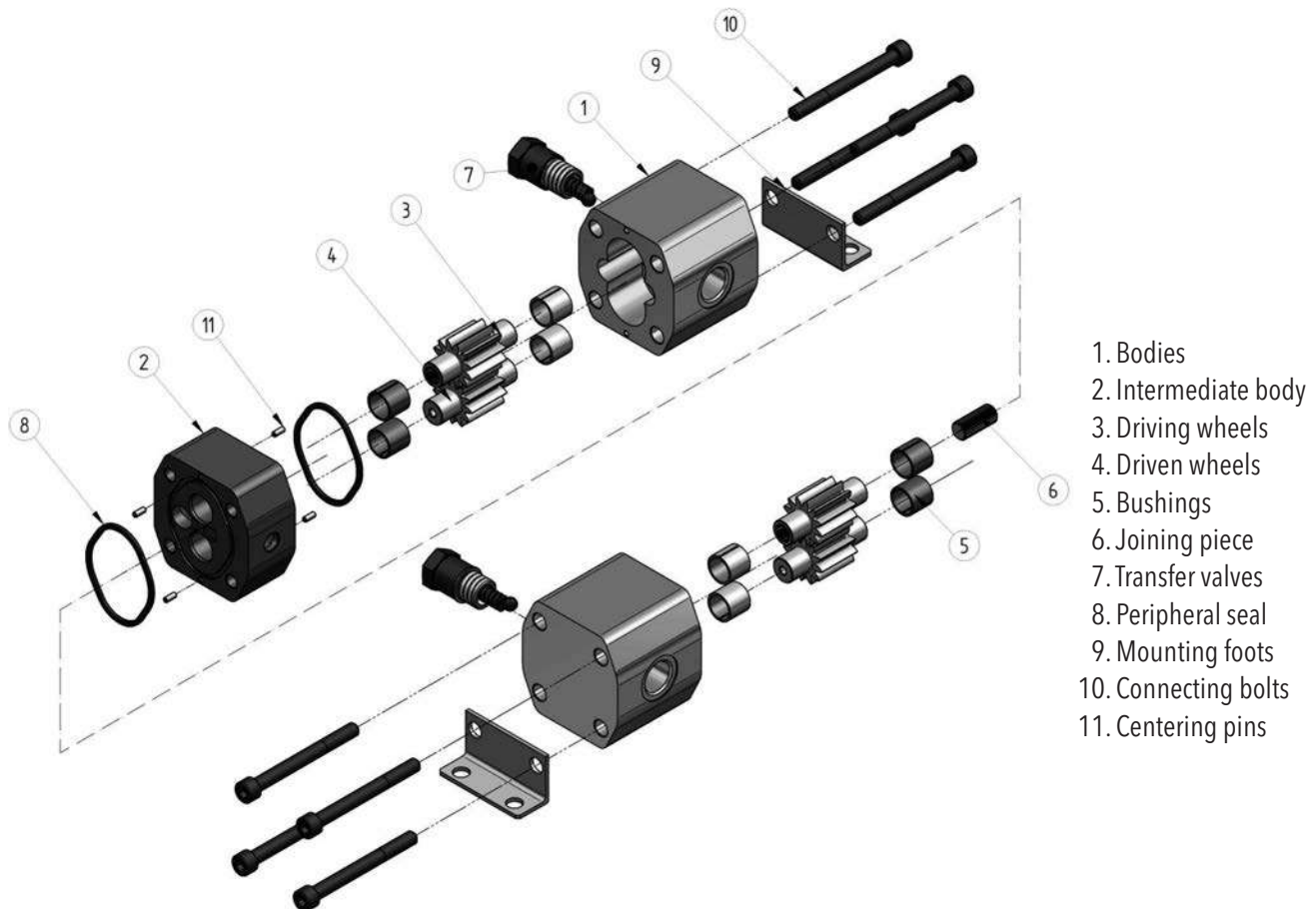
GENERAL DESCRIPTION	2
MAIN PARTS OF AN UNBALANCED DIVIDER.....	2
MAIN PARTS OF A BALANCED DIVIDER	3
TABLE OF PARAMETERS OF AN UNBALANCED DIVIDER	4
TABLE OF PARAMETERS OF A BALANCED DIVIDER.....	5
WORKING LIQUID.....	7
FLOW CHARACTERISTICS.....	7
ORDER KEY - UNBALANCED DIVIDER.....	9
ORDER KEY - BALANCED DIVIDER	9
BASIC RECOMMENDED COMBINATIONS OF LIQUID INPUT AND OUTPUT.....	10
CATALOGUE SHEETS OF BASIC DESIGNS OF THE DIVIDERS	11
DPVM.....	11
DPV2.....	13
DPVT	16
DPVJ.....	19
DPVT3	21
NOTES	23



GENERAL DESCRIPTION

- Rotary gear flow dividers by Jihostroj a.s., that have been proven in operation, ensure efficient and reliable functioning when used in a wide range of agricultural, handling and construction machinery. These flow dividers enable using a single hydraulic source in multiple useful applications:
 - Synchronous operation of multi-cylinder engines or hydraulic motors (linear and rotary).
 - Proportional division of a pump output flow into several circuits.
 - Pressure boost if pressure exceeding pump capacity is required (without transfer valves).
- Jihostroj a.s. produces rotary gear flow dividers of five basic series. Three of them have a fixed axial clearance (unbalanced) and two of them have pressure axial balance.
- Flow dividers of the smallest DPVM series, middle-sized DPV2 series and large-sized DPVT series feature with robust cast-iron design, absence of hydraulic balance, and fixed axial clearance. Input of pressure liquid into the divider is located in the middle body to which individual divider sections are connected from both sides. As standard, the DPVM and DPVT series are offered with 2 to 4 sections whereas DPV2 series may have 2 to 6 sections. At the same time, smaller geometric volumes of the DPVT series in the range from 10 to 16 cm³/rev can be made with up to 6 sections. Of course, it is also possible to supply dividers with an odd number of sections or with different geometric volumes according to a required proportion of the liquid flow distribution.

MAIN PARTS OF AN UNBALANCED DIVIDER



- The bodies of the flow dividers of the DPVJ and DPVT3 series are made of high strength aluminium alloy combined with grey iron cast lids. Cogwheels of the divider, made of high strength hardened steel, are seated in floating bearing faces which provide axial pressure balance of the divider, thus ensuring high accuracy division. The DPVJ series is offered with 2 to 6 sections. The DPVT3 series is offered with 2 to 4 sections. A great advantage of such a divider type is an easy and smooth start-up along with a high accuracy of flow division even below 2%. Another advantage is good division accuracy even at low speed (small divided quantity).

MAIN PARTS OF A BALANCED DIVIDER

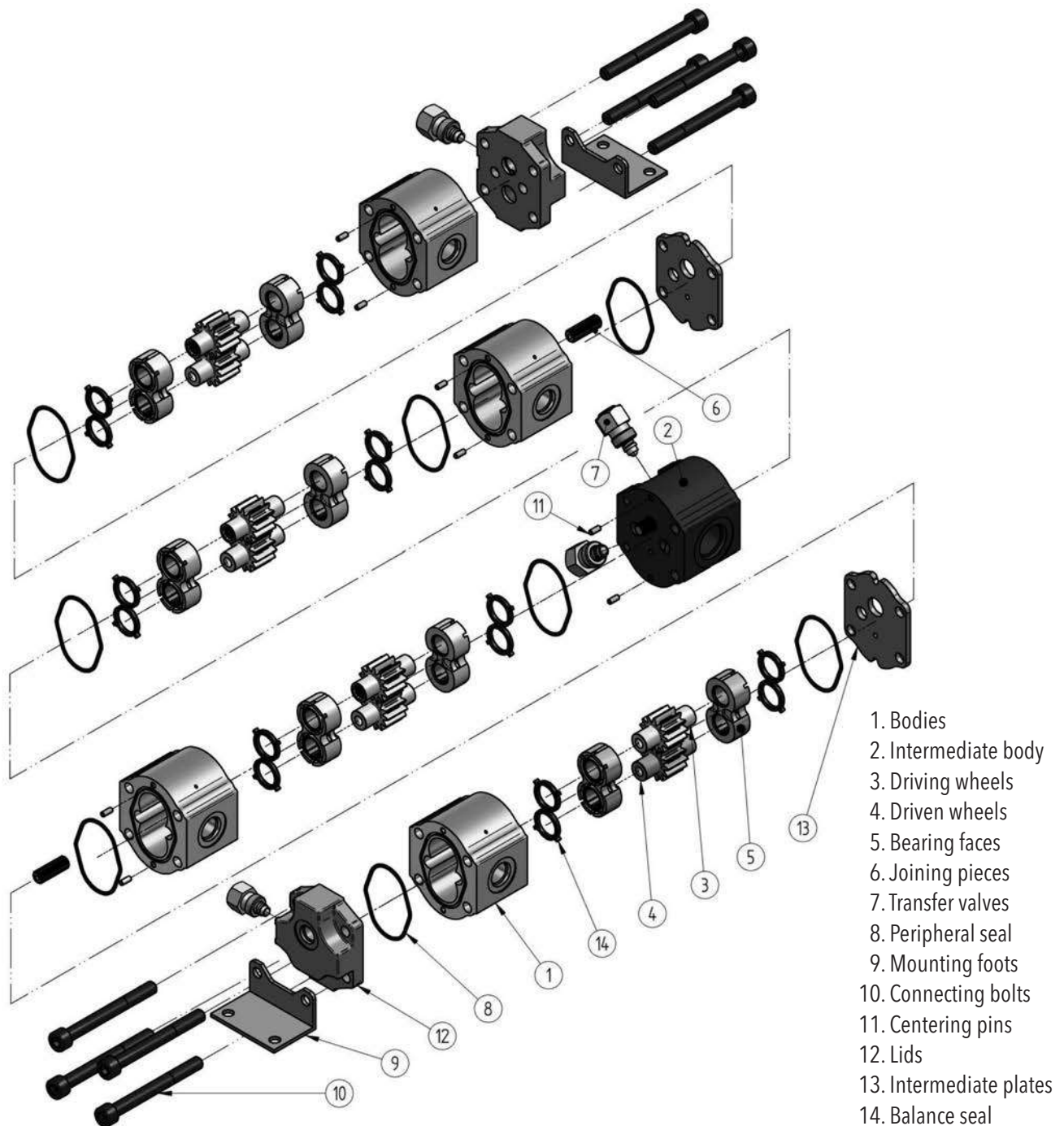


TABLE OF PARAMETERS OF AN UNBALANCED DIVIDER

DPVM, DPV2

Nominal Size Parameters		Des.	Unit	DPVM 0.80	DPVM 1.00	DPVM 1.25	DPVM 1.50	DPV2 2.10	DPV2 3.20
Nominal geometric volume		V_g	[cm ³]	0.80	1.00	1.25	1.50	2.10	3.20
Speed	operating	n_n	[min ⁻¹]	2500 to 6500	2500 to 6500	2200 to 6000	2200 to 6000	2000 to 4000	2000 to 4000
	minimum	n_{min}	[min ⁻¹]	1800	1800	1500	1500	1000	1000
	maximum	n_{max}	[min ⁻¹]	7000	7000	6500	6500	4500	4500
Section flow	operating	Q_n	[dm ³ .min ⁻¹]	2.0 - 5.2	2.5 - 6.5	2.8 - 7.5	3.3 - 9.0	4.2 - 8.4	6.4 - 12.8
	minimum	Q_{min}	[dm ³ .min ⁻¹]	1.45	1.80	1.85	2.20	2.10	3.20
	maximum	Q_{max}	[dm ³ .min ⁻¹]	5.6	7.0	8.1	9.7	9.5	14.4
Input pressure	maximum	p_{1max}	[bar]	210	210	210	210	210	210
	peak	p_{1n}	[bar]	250	250	250	250	260	260
Output pressure	maximum	p_{2max}	[bar]	300	300	300	300	300	300
	peak	p_{2n}	[bar]	320	320	320	320	340	340
Oil temperature		T_o	[°C]	-20 to +80	-20 to +80	-20 to +80	-20 to +80	-20 to +80	-20 to +80
Ambient temperature		T_p	[°C]	-20 to +55	-20 to +55	-20 to +55	-20 to +55	-20 to +55	-20 to +55
Nominal division accuracy *		-	[%]	18	16	15	15	15	15
Installation position		-	-	Any	Any	Any	Any	Any	Any

DPV2

Nominal Size Parameters		Des.	Unit	DPV2 4.20	DPV2 5.30	DPV2 6.30	DPV2 7.40	DPV2 8.40	DPV2 10.00
Nominal geometric volume		V_g	[cm ³]	4.20	5.30	6.30	7.40	8.40	10.00
Speed	operating	n_n	[min ⁻¹]	2000 to 4000	2000 to 4000	2000 to 4000	1500 to 3500	1500 to 3500	1500 to 3500
	minimum	n_{min}	[min ⁻¹]	1000	1000	1000	800	800	800
	maximum	n_{max}	[min ⁻¹]	4500	4500	4500	4000	4000	4000
Section flow	operating	Q_n	[dm ³ .min ⁻¹]	8.4 - 16.8	10.5 - 21.2	12.6 - 25.9	11.1 - 25.9	12.6 - 29.4	15.0 - 35.0
	minimum	Q_{min}	[dm ³ .min ⁻¹]	4.2	5.3	6.3	6.0	6.7	8.0
	maximum	Q_{max}	[dm ³ .min ⁻¹]	18.9	23.8	28.3	29.6	33.6	40.0
Input pressure	maximum	p_{1max}	[bar]	210	210	210	210	210	210
	peak	p_{1n}	[bar]	260	260	260	260	260	260
Output pressure	maximum	p_{2max}	[bar]	300	300	300	300	300	300
	peak	p_{2n}	[bar]	340	340	340	340	340	340
Oil temperature		T_o	[°C]	-20 to +80	-20 to +80	-20 to +80	-20 to +80	-20 to +80	-20 to +80
Ambient temperature		T_p	[°C]	-20 to +55	-20 to +55	-20 to +55	-20 to +55	-20 to +55	-20 to +55
Nominal division accuracy *		-	[%]	15	15	13	10	10	10
Installation position		-	-	Any	Any	Any	Any	Any	Any

* at the DPV2 dividers, measurement is carried out at the speed of 3000 rpm and a nominal pressure gradient of 100 bar between the sections

* at the DPVM dividers, measurement is carried out at the speed of 4500 rpm and a nominal pressure gradient of 100 bar between the sections
the parameter values are applicable at the liquid temperature of 40°C and kinematic viscosity $(35 \pm 5) \cdot 10^{-6} [m^2 \cdot s^{-1}]$

DPVT

Nominal Size Parameters		Des.	Unit	DPVT 10.0	DPVT 13.5	DPVT 16.0	DPVT 20.0	DPVT 22.0	DPVT 25.0
Nominal geometric volume		V _g	[cm ³]	10	13	16	20	22	25
Speed	operating	n _n	[min ⁻¹]	1800 to 3500	1800 to 3500	1800 to 3500	1700 to 3300	1700 to 3300	1700 to 3300
	minimum	n _{min}	[min ⁻¹]	800	800	800	700	700	700
	maximum	n _{max}	[min ⁻¹]	4000	4000	4000	3800	3800	3800
Section flow	operating	Q _n	[dm ³ .min ⁻¹]	18.0-35.0	23.4-45.5	28.8-56.0	34.0-66.0	37.4-72.6	42.5-82.5
	minimum	Q _{min}	[dm ³ .min ⁻¹]	8.0	10.4	12.8	14.0	15.4	17.5
	maximum	Q _{max}	[dm ³ .min ⁻¹]	40.0	52.0	64.0	76.0	83.6	95.0
Input pressure	maximum	p _{1max}	[bar]	210	210	210	200	200	200
	peak	p _{1n}	[bar]	260	260	260	240	240	240
Output pressure	maximum	p _{2max}	[bar]	300	300	300	260	260	260
	peak	p _{2n}	[bar]	340	340	340	300	300	300
Oil temperature		T _o	[°C]	-20 to +80	-20 to +80	-20 to +80	-20 to +80	-20 to +80	-20 to +80
Ambient temperature		T _p	[°C]	-20 to +55	-20 to +55	-20 to +55	-20 to +55	-20 to +55	-20 to +55
Nominal division accuracy in 2 sections *		-	[%]	11	11	10	10	8	8
Nominal division accuracy in more sections *		-	[%]	13	13	12	12	10	10
Installation position		-	-	Any	Any	Any	Any	Any	Any

* measured at the speed of 2500 rpm and nominal pressure gradient of 100 bar between sections
the parameter values are applicable at the liquid temperature of 40°C and kinematic viscosity $(35 \pm 5) \cdot 10^{-6} [m^2 \cdot s^{-1}]$

TABLE OF PARAMETERS OF A BALANCED DIVIDER

DPVJ

Nominal Size Parameters		Des.	Unit.	DPVJ 3	DPVJ 4	DPVJ 6	DPVJ 8	DPVJ 10	DPVJ 12	DPVJ 15
Nominal geometric volume		V _g	[cm ³]	3	4	6	8	10	12	15
Speed	operating	n _n	[min ⁻¹]	1500 to 4000	1500 to 4000	1200 to 3500	1200 to 3500	1000 to 3000	1000 to 3000	1000 to 2500
	minimum	n _{min}	[min ⁻¹]	800	800	600	600	500	500	500
	maximum	n _{max}	[min ⁻¹]	4300	4300	3800	3800	3200	3200	2700
Section flow	operating	Q _n	[dm ³ .min ⁻¹]	4.5-12.0	6.0-16.0	7.2-21.0	9.6-28.0	10.0-30.0	12.0-36.0	15.0-37.5
	minimum	Q _{min}	[dm ³ .min ⁻¹]	2.4	3.2	3.8	4.8	5.0	6.0	7.5
	maximum	Q _{max}	[dm ³ .min ⁻¹]	12.9	17.2	22.8	30.4	32.0	38.4	40.5
Input pressure	maximum	p _{1max}	[bar]	230	230	230	230	230	200	180
	peak	p _{1n}	[bar]	250	250	250	250	250	220	200
Output pressure	maximum	p _{2max}	[bar]	280	280	280	280	250	220	190
	peak	p _{2n}	[bar]	300	300	300	300	270	240	210
Oil temperature		T _o	[°C]	-20 to +80	-20 to +80	-20 to +80	-20 to +80	-20 to +80	-20 to +80	-20 to +80
Ambient temperature		T _p	[°C]	-20 to +55	-20 to +55	-20 to +55	-20 to +55	-20 to +55	-20 to +55	-20 to +55
Nominal division accuracy in 2 sections *		-	[%]	4.5	4.0	3.0	2.5	2.0	2.0	1.5
Nominal division accuracy in more sections *		-	[%]	5.5	5.0	5.0	4.0	3.5	3.0	2.5
Installation position		-	-	Any	Any	Any	Any	Any	Any	Any

* measured at the speed of 2500 rpm and nominal pressure gradient of 100 bar between sections
the parameter values are applicable at the liquid temperature of 40°C and kinematic viscosity $(35 \pm 5) \cdot 10^{-6} [m^2 \cdot s^{-1}]$

DPVT3

Nominal Size Parameters		Des.	Unit.	DPVT3 6	DPVT3 8	DPVT3 12	DPVT3 16	DPVT3 20	DPVT3 25	DPVT3 31
Nominal geometric volume		V_g	[cm ³]	6	8	12	16	20	25	31
Speed	operating	n_n	[min ⁻¹]	1500 to 3800	1500 to 3800	1200 to 3200	1200 to 3200	1000 to 3000	1000 to 3000	800 to 2800
	minimum	n_{min}	[min ⁻¹]	500	500	500	500	500	500	450
	maximum	n_{max}	[min ⁻¹]	4000	4000	3500	3500	3300	3300	3100
Section flow	operating	Q_n	[dm ³ .min ⁻¹]	9.0-22.8	12.0-30.4	14.4-38.4	19.2-51.0	20.0-60.0	25.0-75.0	24.8-86.8
	minimum	Q_{min}	[dm ³ .min ⁻¹]	3.0	4.0	6.0	8.0	10.0	12.5	13.9
	maximum	Q_{max}	[dm ³ .min ⁻¹]	24.0	32.0	42.0	56.0	66.0	82.5	96.1
Input pressure	maximum	p_{1max}	[bar]	230	230	230	230	220	190	170
	peak	p_{1n}	[bar]	250	250	250	250	240	210	190
Output pressure	maximum	p_{2max}	[bar]	280	280	280	280	240	210	190
	peak	p_{2n}	[bar]	300	300	300	300	260	230	210
Oil temperature		T_o	[°C]	-20 to +80	-20 to +80	-20 to +80	-20 to +80	-20 to +80	-20 to +80	-20 to +80
Ambient temperature		T_p	[°C]	-20 to +55	-20 to +55	-20 to +55	-20 to +55	-20 to +55	-20 to +55	-20 to +55
Nominal division accuracy in 2 sections *		-	[%]	4.5	4.0	3.5	3.0	2.5	2.0	1.5
Nominal division accuracy in more sections *		-	[%]	5.5	5.0	4.5	4.0	3.5	3.0	2.5
Installation position		-	-	Any	Any	Any	Any	Any	Any	Any

* measured at the speed of 2500 rpm and nominal pressure gradient of 100 bar between sections
the parameter values are applicable at the liquid temperature of 40°C and kinematic viscosity $(35 \pm 5) \cdot 10^{-6} [m^2 \cdot s^{-1}]$

- Note: Previous tables only contain basic geometric volumes (V_g) of the dividers, other V_g sizes exist in the DPVJ and DPVT3 series that can be used after consultation with the manufacturer.
- As standard, all flow dividers are equipped with differential transfer valves in each section that are adjustable in the range from 30 to 180 bar of a pressure gradient. (By default, the supplied flow divider is set to 50 bar).
- Smaller geometric volumes from 10 to 16 cm³/rev can be made with up to 6 sections. Of course, it is also possible to supply dividers with an odd number of sections or with different geometric volumes according to a required proportion of the liquid flow distribution.
- A cheaper alternative may also be supplied for simpler divider applications that does not contain transfer valves.

WORKING LIQUID

- Mineral oils for hydraulic drives
- Hydraulic liquids based on plant oils suitable for hydraulic drives

Liquid temperature

- $t = -20 \div +80$ [°C]
when used with FKM (Viton) seal up to 120 [°C]

Cinematic viscosity

- Recommended (during continuous operation):
- Maximum (cold starting, at viscosity > 1000 , operating pressure < 10 bar is permissible, speed $< 1500 \cdot \text{min}^{-1}$):
- Minimum (operating mode at $10 \cdot 10^{-6}$ up $20 \cdot 10^{-6}$ should be consulted with manufacturer):

$$\nu = 20 \div 80 \cdot 10^{-6} [\text{m}^2 \cdot \text{s}^{-1}]$$

$$\nu = 1200 \cdot 10^{-6} [\text{m}^2 \cdot \text{s}^{-1}]$$

$$\nu = 10 \cdot 10^{-6} [\text{m}^2 \cdot \text{s}^{-1}]$$

Filtration coefficient β_{α}

$\beta_{25\ 75} \geq$ (for pressure $p_2 < 200$ bar)
 $\beta_{10\ 75} \geq$ (for pressure $p_2 > 200$ bar)

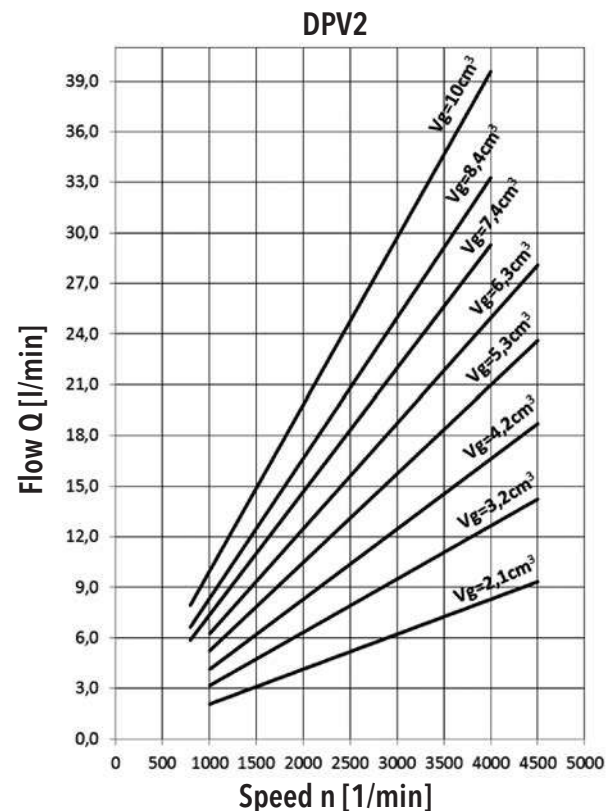
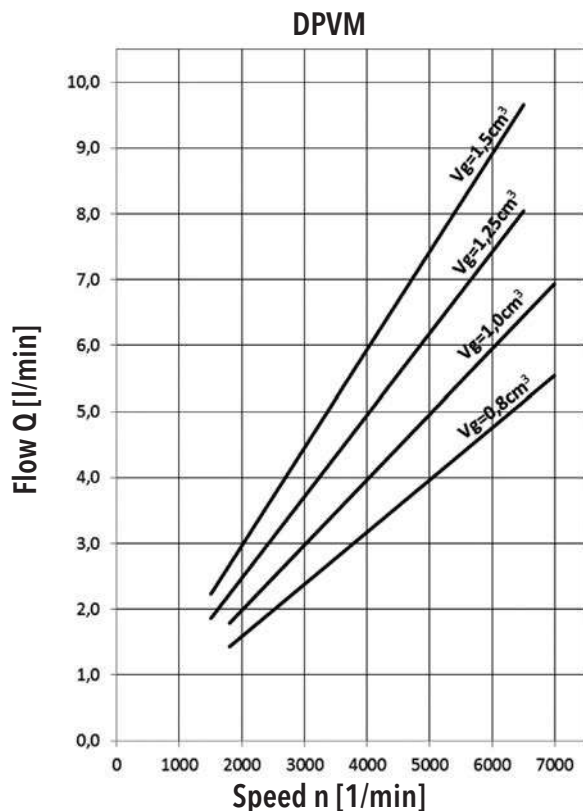
Liquid contamination class according to ISO 4406

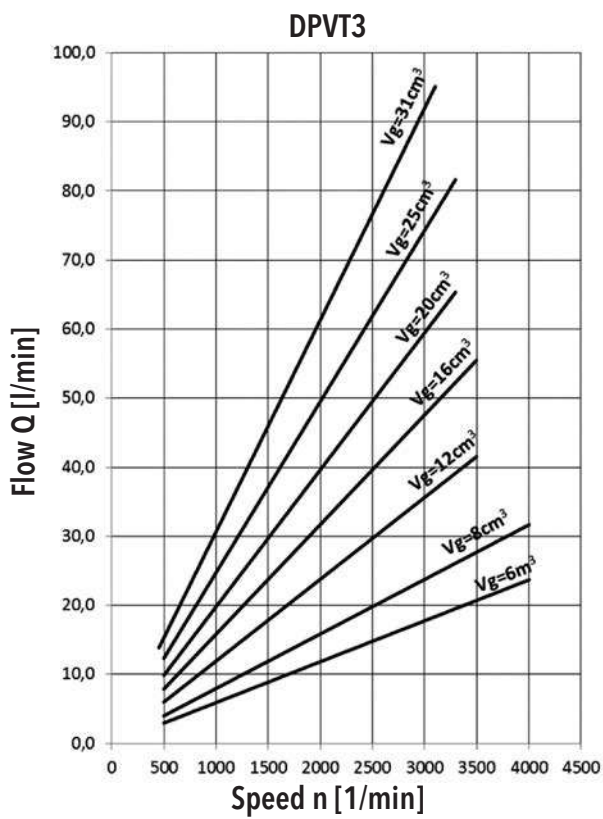
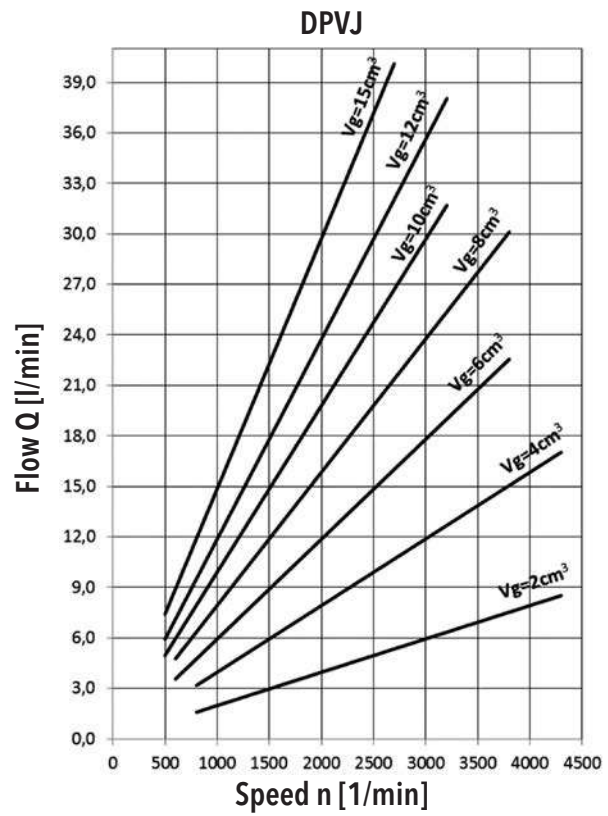
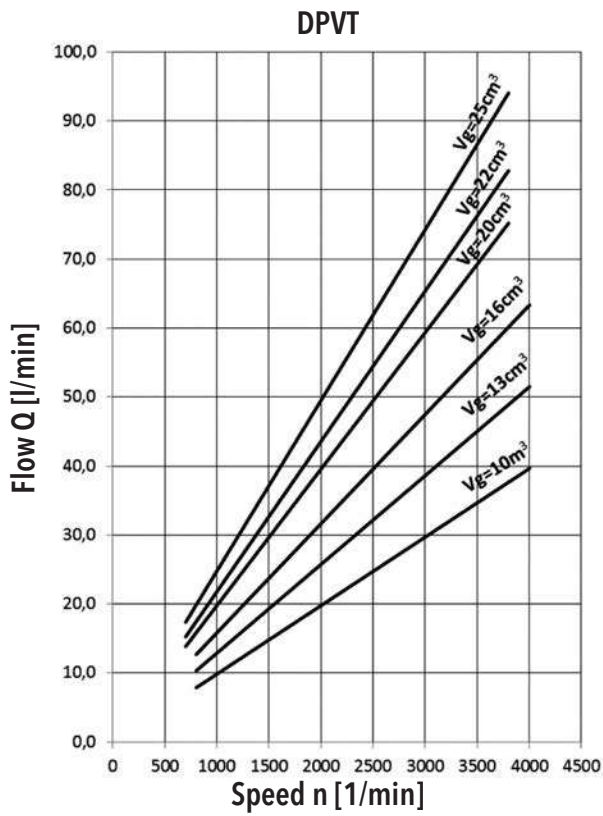
21/18/15 (for pressure $p_2 < 200$ bar)
20/17/14 (for pressure $p_2 > 200$ bar)

Liquid contamination class according to NAS 1638

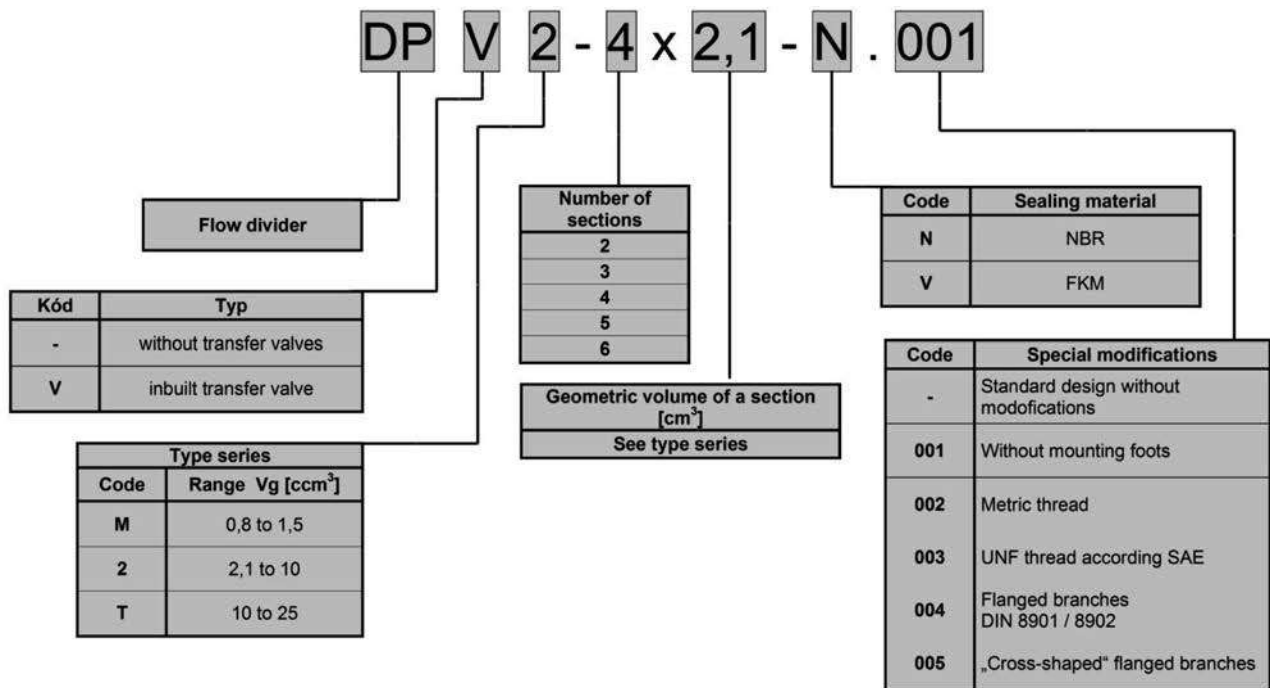
10 (for pressure $p_2 < 200$ bar)
8 (for pressure $p_2 > 200$ bar)

FLOW CHARACTERISTICS





ORDER KEY – UNBALANCED DIVIDER

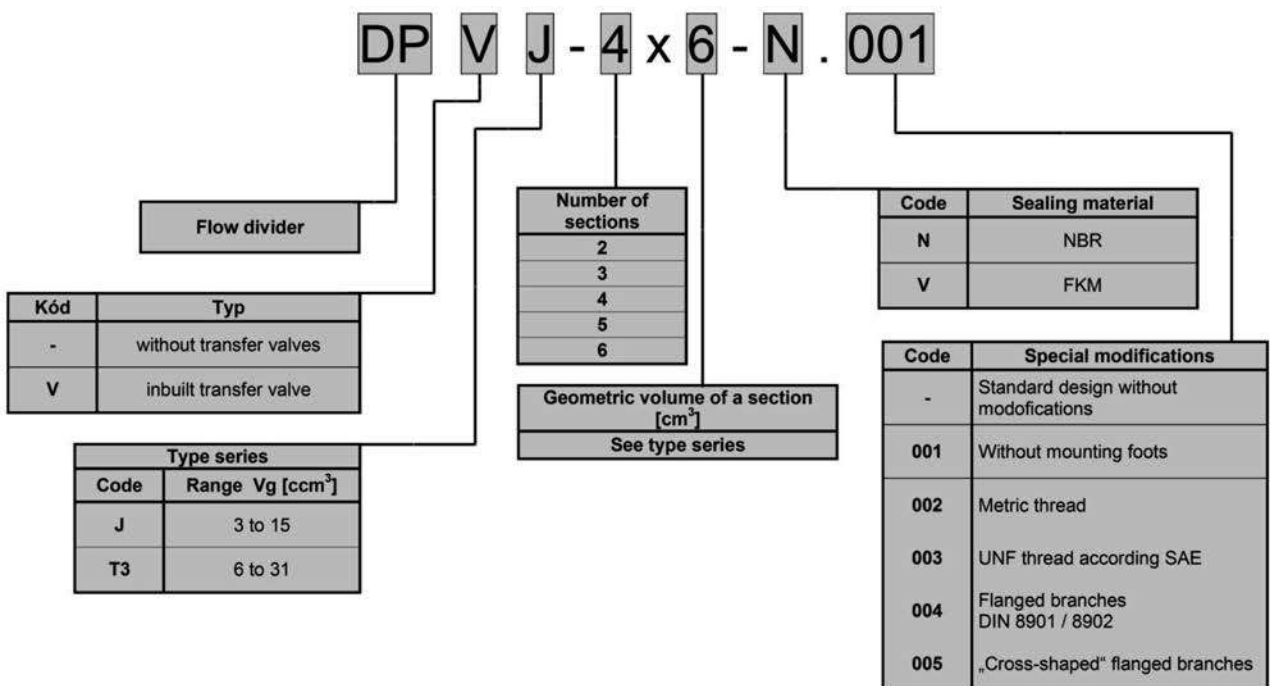


Sample designation of an unbalanced divider type 2 with a transfer valve, four sections with a geometric volume of 2.1 cm³ and a NBR seal.

The divider is in 001 design - without mounting foots: **DPV2-4x2.1-N.001**

Note: As standard, inputs are designed as a BSPP pipe thread.

ORDER KEY – BALANCED DIVIDER



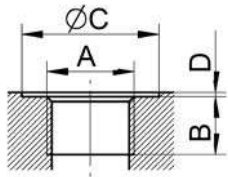
Sample designation of a balanced divider type J with a transfer valve, four sections with a geometric volume of 6 cm³ and NBR seal.

The divider is in 001 design - without mounting foots: **DPVJ-4x2.1-N.001**

Note: As standard, inputs are designed as a BSPP pipe thread.

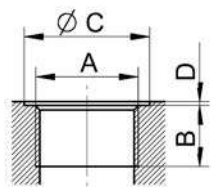
BASIC RECOMMENDED COMBINATIONS OF LIQUID INPUT AND OUTPUT

BSPP pipe thread ISO 228-1



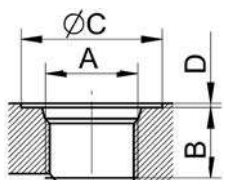
Size [cm ³]	Code	Inlet				Code	Outlet			
		A	B	C	D		A	B	C	D
DPVM, DPV2, DPVJ up to 10, DPVT3 up to 10	G03	G 1/2"	14	33	1	G03	G 1/2"	14	33	1
DPVJ above 10, DPVT3 above 10	G04	G 3/4"	16	39	1	G04	G 3/4"	16	39	1
DPVT, DPVT3 above 19	G05	G 1"	18	45	1					

Metric thread ISO 6149



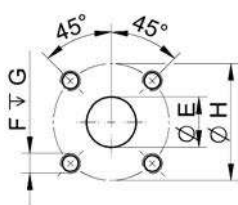
Size [cm ³]	Code	Inlet				Code	Outlet			
		A	B	C	D		A	B	C	D
DPVM, DPV2, DPVJ	M07	M 22x1.5	14	28	1	M05	M 18x1.5	14	24	1
DPVT3 up to 20 DPVT	M09	M 27x2.0	16	33	1					
DPVT3 above 20	M12	M 33x2.0	18	40	1	M07	M 22x1.5	14	28	1

UNF thread according to SAE



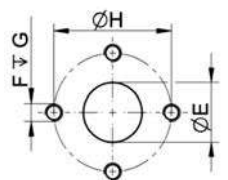
Size [cm ³]	Code	Inlet				Code	Outlet			
		A	B	C	D		A	B	C	D
DPVM, DPV2	U04	7/8-14UNF	17	34	1	U03	3/4-16UNF	15	30	1
DPVT, DPVJ up to 12, DPVT3 up to 20	U05	1-1/16-12UN	19	41	1	U04	7/8-14UNF	17	34	1
DPVT3 above 20	U07	1-5/16-12UN	19	46	1	U05	1-1/16-12UN	19	41	1

Flanged branches DIN 8901/8902



Size [cm ³]	Code	Inlet				Code	Outlet			
		E	F	G	H		E	F	G	H
DPVT, DPVJ, DPVT3 up to 20	H06	20	M6	13	40	H05	15	M6	13	35
DPVT3 above 20	H10	25	M8	16	55					

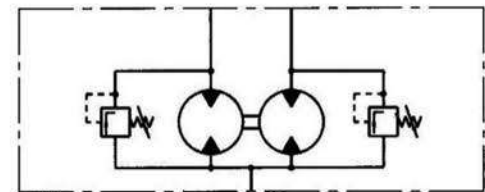
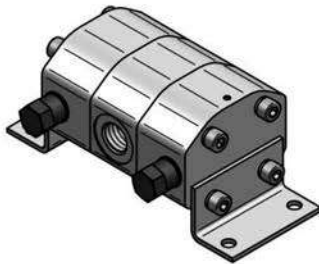
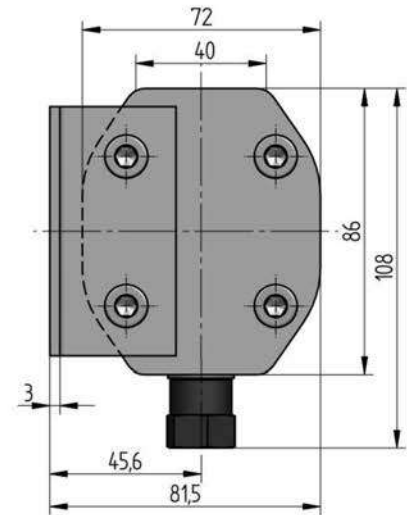
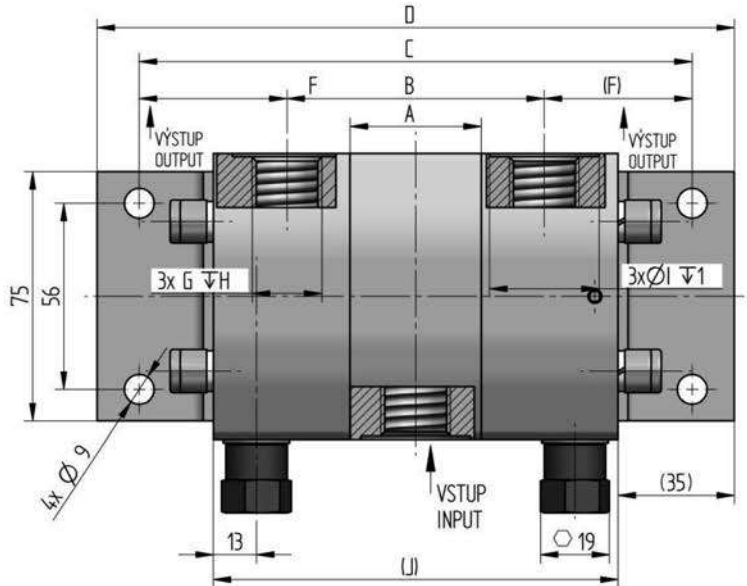
„Cross-shaped“ flanged branches



Size [cm ³]	Code	Inlet				Code	Outlet			
		E	F	G	H		E	F	G	H
DPVT, DPVJ, DPVT3 up to 20	K02	20	M8	13	40	K01	13.5	M6	13	30
DPVT3 above 20	K04	26	M10	16	51	K03	18.0	M8	16	40

CATALOGUE SHEETS OF BASIC DESIGNS OF THE DIVIDERS

DPVM

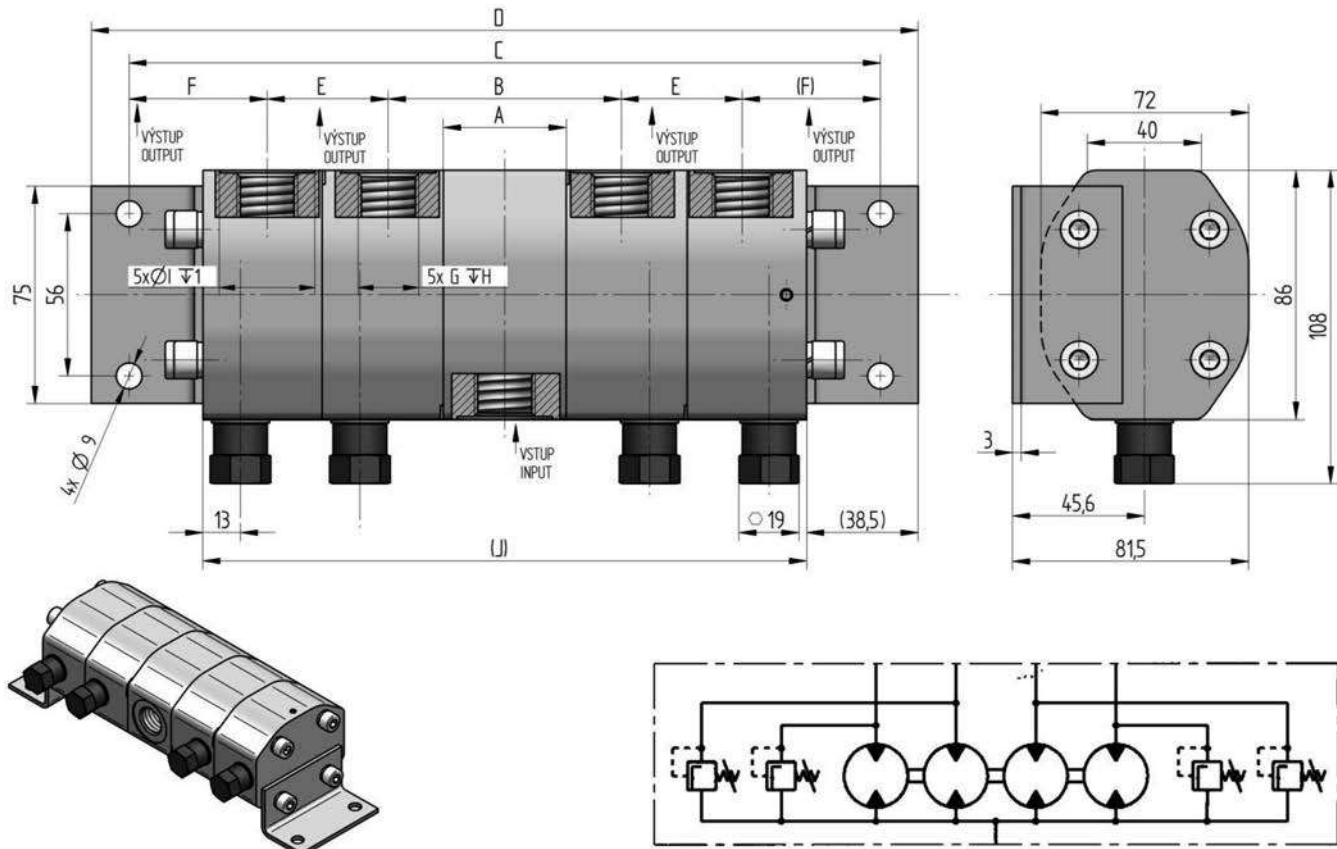


1) The transfer valves can be set in the range from 50 to 200 bar

2) The divider can be a combination of varied geometric volumes - pressure values in this case are given by the section with the greatest geometric volume

* Values recommended for optimal division accuracy.

Type	ord. no.	geom. volume [cm ³]	nomin. pressure [bar]	max. pressure drop [bar]	flow section [dm ³ /min ⁻¹]	size									
						A [mm]	B [mm]	C [mm]	D [mm]	E [mm]	F [mm]	G [mm]	H [mm]	I [mm]	(J) [mm]
DPVM-2x1.5	180 9297	2x1.5	300	230	3.3 - 9.0	39.5	77.5	166.5	192	-	44.5	G 1/2"	18	33	122
DPVM-2x1.25	180 9119	2x1.25	300	230	2.8 - 7.5	39.5	77.5	166.5	192	-	44.5	G 1/2"	18	33	122
DPVM-2x1.0	180 9196	2x1.0	300	230	2.5 - 6.5	39.5	77.5	166.5	192	-	44.5	G 1/2"	18	33	122
DPVM-2x0.8	180 9298	2x0.8	300	230	2.0 - 5.2	39.5	77.5	166.5	192	-	44.5	G 1/2"	18	33	122



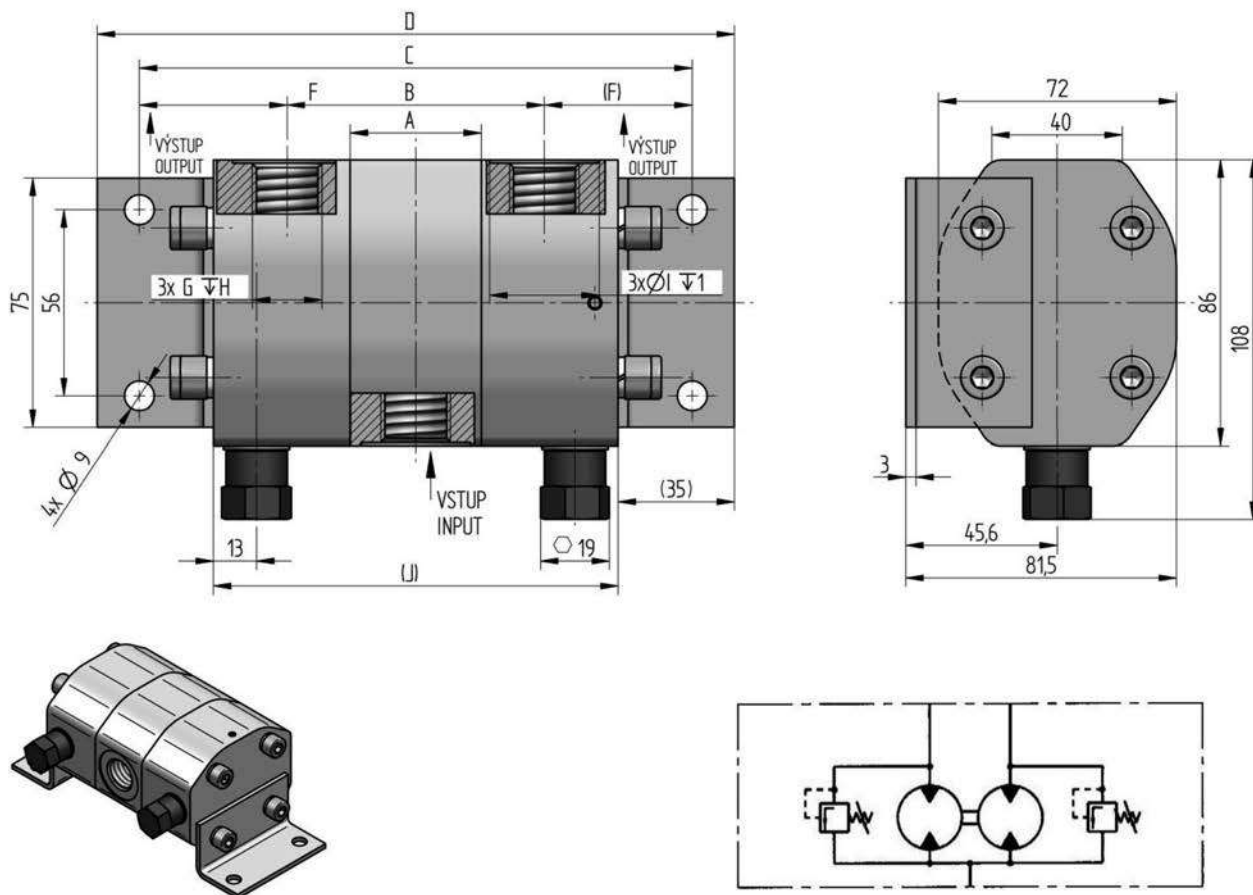
1) The transfer valves can be set in the range from 50 to 200 bar

2) The divider can be a combination of varied geometric volumes - pressure values in this case are given by the section with the greatest geometric volume

* Values recommended for optimal division accuracy.

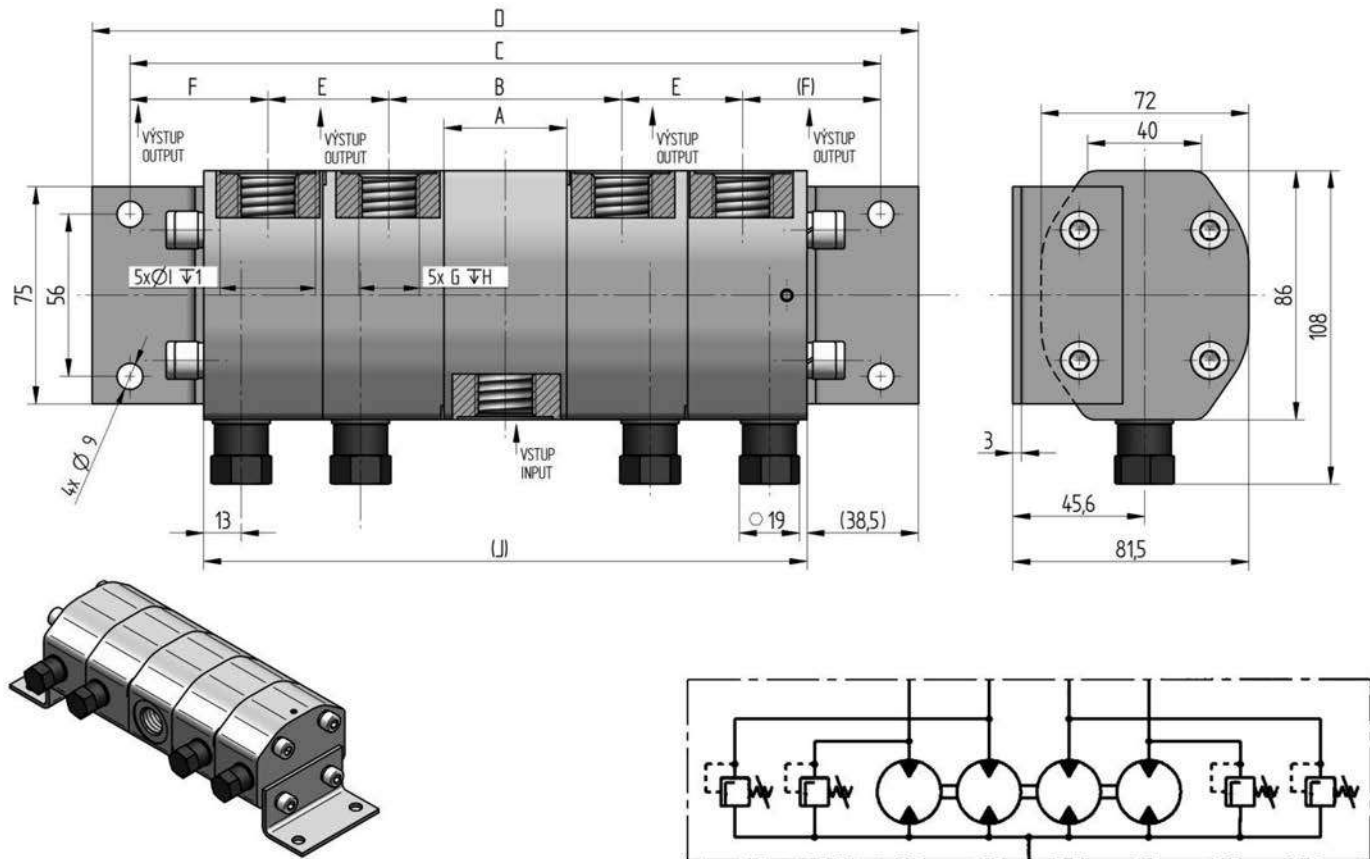
Type	ord. no.	geom. volume [cm ³]	nomin. pressure [bar]	max. pressure drop [bar]	flow section [dm ³ /min ⁻¹]	size									
						A [mm]	B [mm]	C [mm]	D [mm]	E [mm]	F [mm]	G [mm]	H [mm]	I [mm]	(J) [mm]
DPVM-4x1.5	180 9295	4x1.5	300	230	3.3 - 9.0	42.4	80.5	260	286	41.8	47.5	G 1/2"	18	33	208.5
DPVM-4x1.25	180 9118	4x1.25	300	230	2.8 - 7.5	42.4	80.5	260	286	41.8	47.5	G 1/2"	18	33	208.5
DPVM-4x1.0	180 9238	4x1.0	300	230	2.5 - 6.5	42.4	80.5	260	286	41.8	47.5	G 1/2"	18	33	208.5
DPVM-4x0.8	180 9296	4x0.8	300	230	2.0 - 5.2	42.4	80.5	260	286	41.8	47.5	G 1/2"	18	33	208.5

DPV2



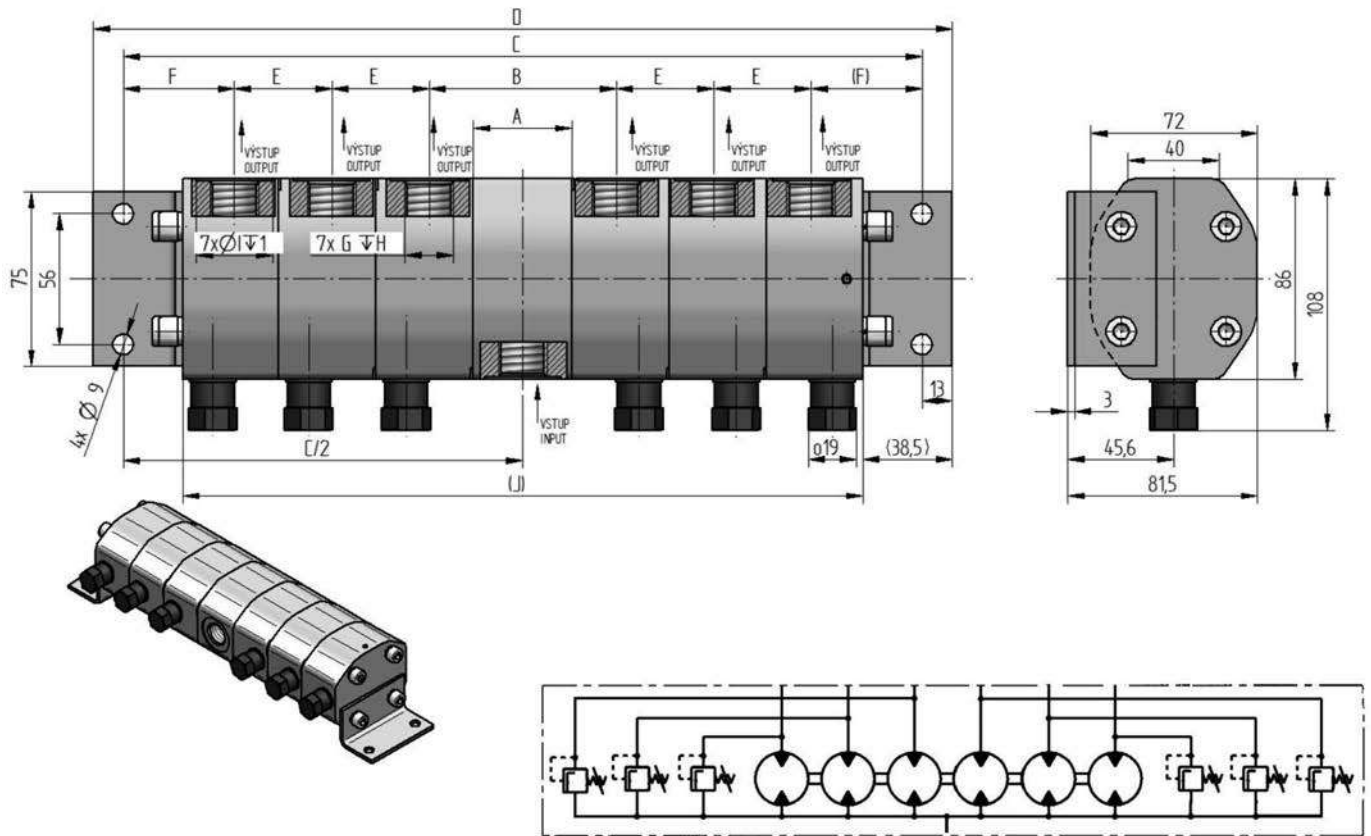
- 1) The transfer valves can be set in the range from 50 to 200 bar
 - 2) The divider can be a combination of varied geometric volumes - pressure values in this case are given by the section with the greatest geometric volume
- * Values recommended for optimal division accuracy.

Type	ord. no.	geom. volume [cm ³]	nomin. pressure [bar]	max. pressure drop [bar]	flow section [dm ³ /min ⁻¹]	size									
						A [mm]	B [mm]	C [mm]	D [mm]	E [mm]	F [mm]	G [mm]	H [mm]	I [mm]	(J) [mm]
DPV2-2x10	180 9117	2x10	300	230	15.0 - 35.0	39.5	99.5	204.1	229.5	-	52.3	G 1/2"	18	33	159.5
DPV2-2x8.4	180 9299	2x8.4	300	230	12.6 - 29.4	39.5	99.5	204.1	229.5	-	52.3	G 1/2"	18	33	159.5
DPV2-2x7.4		2x7.4	300	230	11.1 - 25.9	39.5	99.5	204.1	229.5	-	52.3	G 1/2"	18	33	159.5
DPV2-2x6.3	180 9197	2x6.3	300	230	12.6 - 25.9	39.5	77.5	180.1	205.5	-	51.3	G 1/2"	18	33	135.5
DPV2-2x5.3	180 9204	2x5.3	300	230	10.5 - 21.2	39.5	77.5	180.1	205.5	-	51.3	G 1/2"	18	33	135.5
DPV2-2x4.2	180 9237	2x4.2	300	230	8.4 - 16.8	39.5	77.5	166.5	192.0	-	44.5	G 1/2"	18	33	122.0
DPV2-2x3.2	180 9149	2x3.2	300	230	6.4 - 12.8	39.5	77.5	166.5	192.0	-	44.5	G 1/2"	18	33	122.0
DPV2-2x2.1	180 9236	2x2.1	300	230	4.2 - 8.4	39.5	77.5	166.5	192.0	-	44.5	G 1/2"	18	33	122.0



- 1) The transfer valves can be set in the range from 50 to 200 bar
 - 2) The divider can be a combination of varied geometric volumes - pressure values in this case are given by the section with the greatest geometric volume
- * Values recommended for optimal division accuracy.

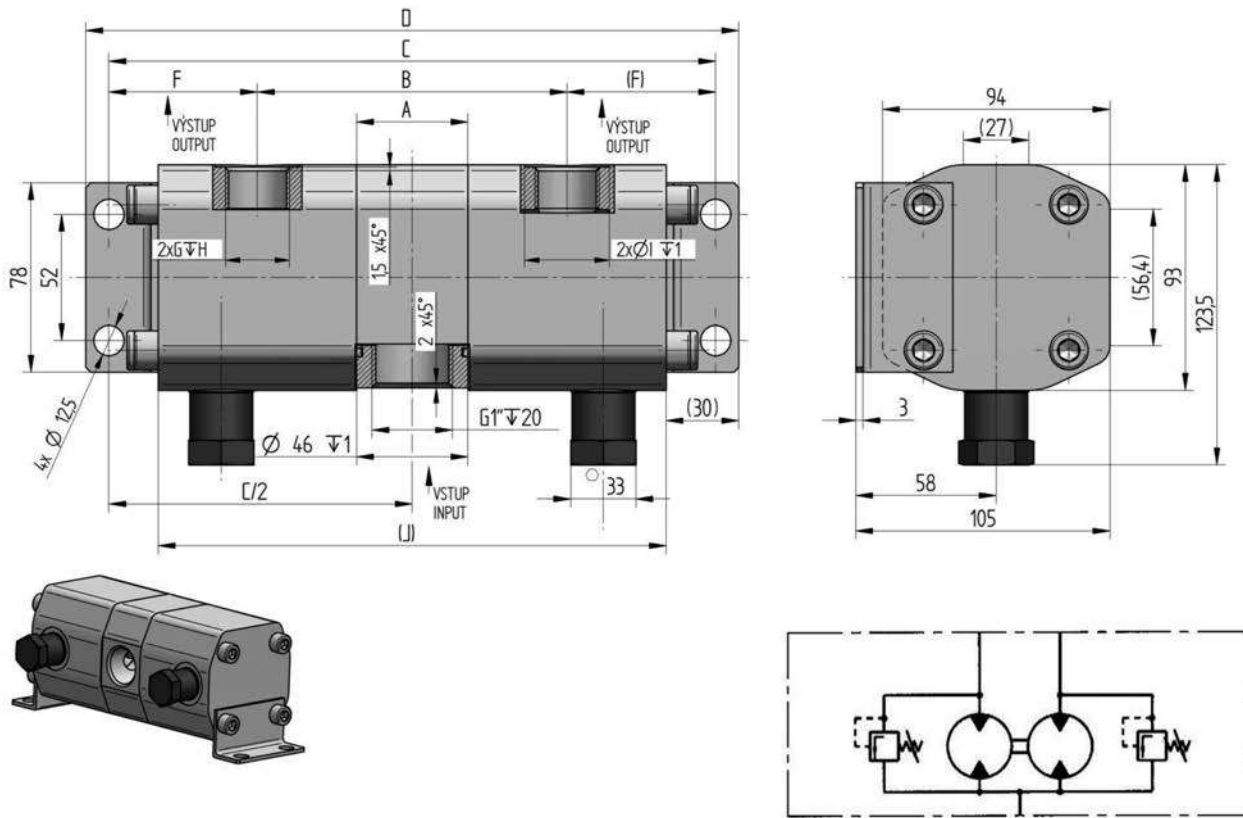
Type	ord. no.	geom. volume [cm ³]	nomin. pressure [bar]	max. pressure drop [bar]	flow section [dm ³ /min ⁻¹]	size									
						A [mm]	B [mm]	C [mm]	D [mm]	E [mm]	F [mm]	G [mm]	H [mm]	I [mm]	(J) [mm]
DPV2-4x10	180 9194	4x10	300	230	15.0 - 35.0	42.4	102.4	334	360	60.0	55.5	G 1/2"	18	33	282.4
DPV2-4x8.4	180 9215	4x8.4	300	230	12.6 - 29.4	42.4	102.4	334	360	60.0	55.5	G 1/2"	18	33	282.4
DPV2-4x7.4		4x7.4	300	230	11.1 - 25.9	42.4	102.4	334	360	60.0	55.5	G 1/2"	18	33	282.4
DPV2-4x6.3	180 9151	4x6.3	300	230	12.6 - 25.9	42.4	80.4	286	312	48.0	54.5	G 1/2"	18	33	234.4
DPV2-4x5.3	180 9218	4x5.3	300	230	10.5 - 21.2	42.4	80.4	286	312	48.0	54.5	G 1/2"	18	33	234.4
DPV2-4x4.2	180 9235	4x4.2	300	230	8.4 - 16.8	42.4	80.5	260	286	41.8	47.5	G 1/2"	18	33	208.5
DPV2-4x3.2	180 9216	4x3.2	300	230	6.4 - 12.8	42.4	80.5	260	286	41.8	47.5	G 1/2"	18	33	208.5
DPV2-4x2.1	180 9234	4x2.1	300	230	4.2 - 8.4	42.4	80.5	260	286	41.8	47.5	G 1/2"	18	33	208.5



- 1) The transfer valves can be set in the range from 50 to 200 bar
 - 2) The divider can be a combination of varied geometric volumes - pressure values in this case are given by the section with the greatest geometric volume
- * Values recommended for achieving division accuracy.

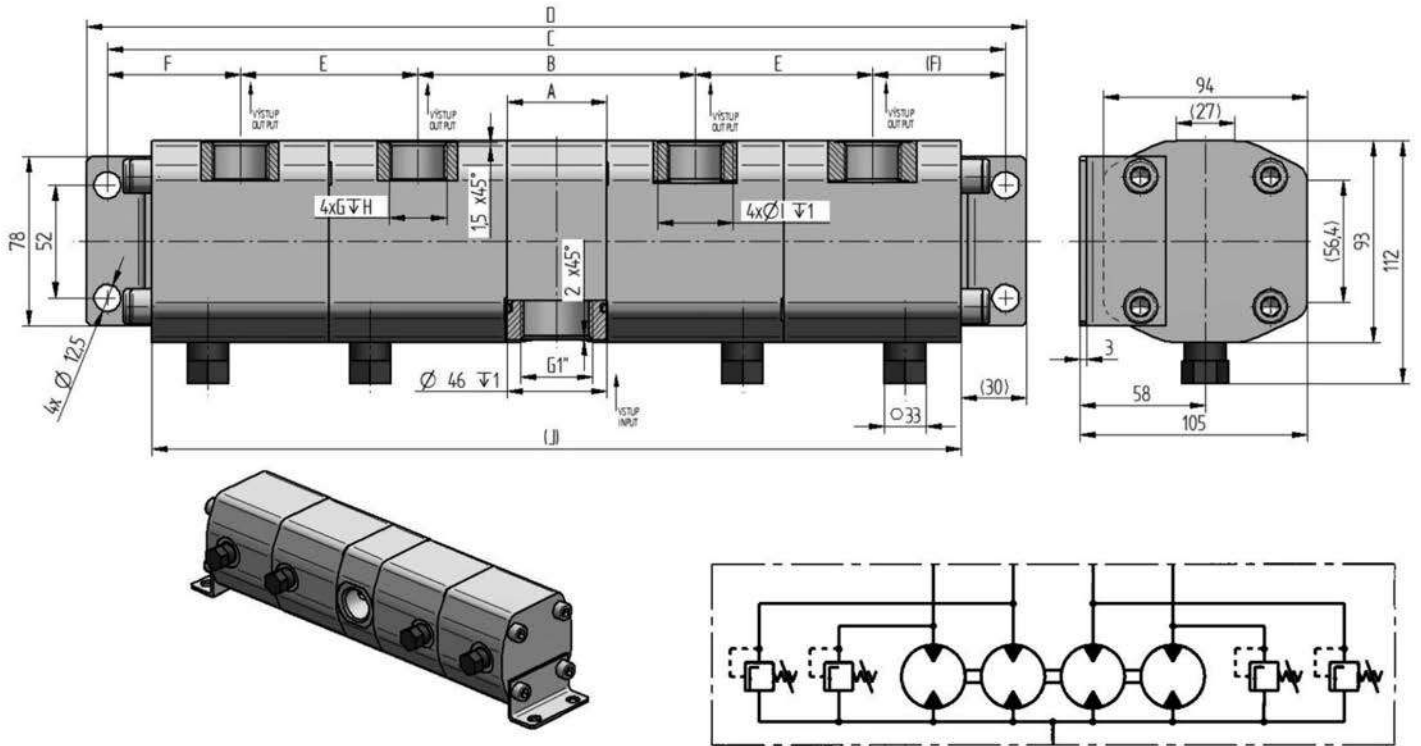
Type	ord. no.	geom. volume [cm ³]	nomin. pressure [bar]	max. pressure drop [bar]	flow section [dm ³ /min ⁻¹]	size									
						A [mm]	B [mm]	C [mm]	D [mm]	E [mm]	F [mm]	G [mm]	H [mm]	I [mm]	(J) [mm]
DPV2-6x4.2	180 9195	6x4.2	300	230	8.4 - 16.8	42.4	80.5	343	369	41.8	47.5	G 1/2"	18	33	292
DPV2-6x2.1	180 9116	6x2.1	300	230	4.2 - 8.4	42.4	80.5	343	369	41.8	47.5	G 1/2"	18	33	292

DPVT



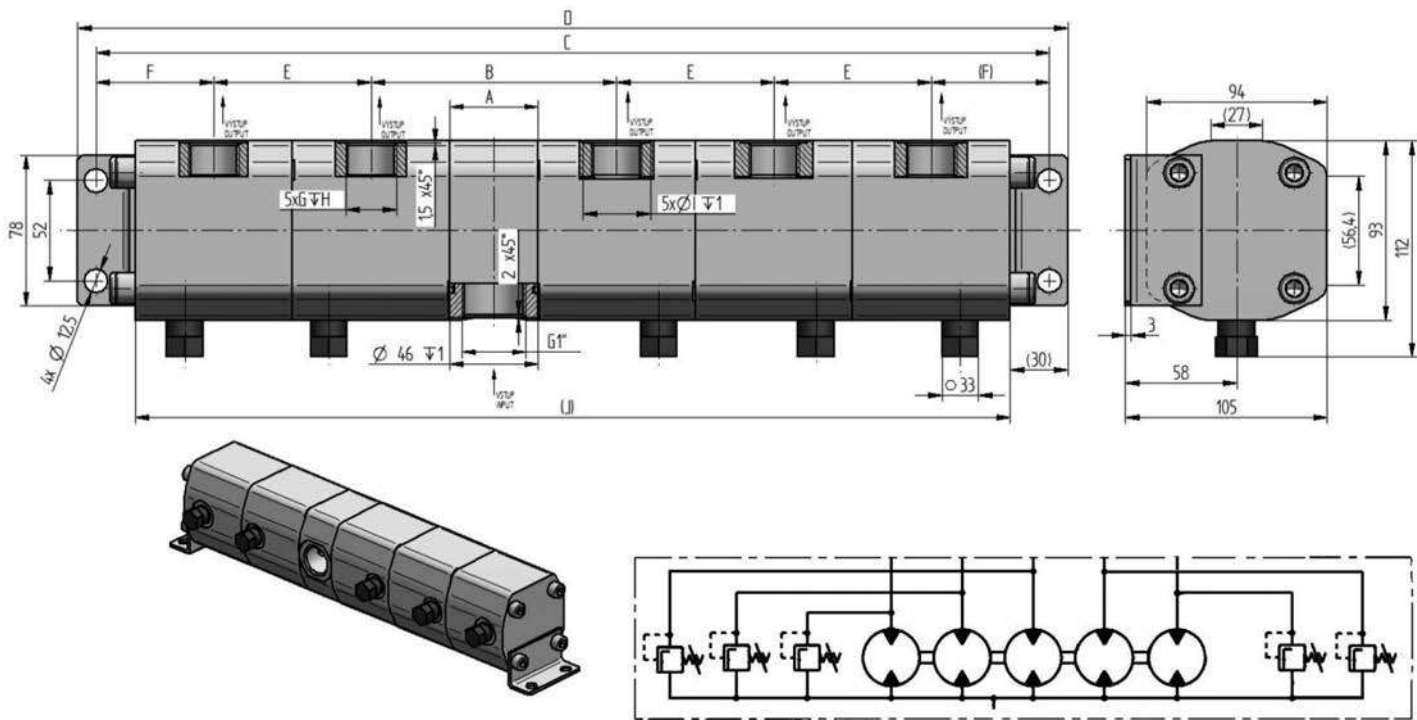
- 1) The transfer valves can be set in the range from 50 to 200 bar
 - 2) The divider can be a combination of varied geometric volumes - pressure values in this case are given by the section with the greatest geometric volume
- * Values recommended for optimal division accuracy.

Type	ord. no.	geom. volume [cm ³]	nomin. pressure [bar]	max. pressure drop [bar]	flow section [dm ³ /min ⁻¹]	size									
						A [mm]	B [mm]	C [mm]	D [mm]	E [mm]	F [mm]	G [mm]	H [mm]	I [mm]	(J) [mm]
DPVT-2x27		2x27	260	150	45.9 - 89.1	46	128	250.8	270	-	61.4	G 3/4"	18	35	210
DPVT-2x25	189 9318	2x25	260	150	42.5 - 82.5	46	128	250.8	270	-	61.4	G 3/4"	18	35	210
DPVT-2x22	189 9325	2x22	260	150	37.4 - 72.6	46	128	250.8	270	-	61.4	G 3/4"	18	35	210
DPVT-2x20	189 9317	2x20	260	150	34.0 - 66.0	46	115	224.8	244	-	54.9	G 3/4"	18	35	184
DPVT-2x16	189 9315	2x16	300	150	28.8 - 56.0	46	115	224.8	244	-	54.9	G 3/4"	18	35	184
DPVT-2x13	189 9316	2x13	300	150	23.4 - 45.5	46	103	200.8	220	-	48.9	G 3/4"	18	35	160
DPVT-2x10	189 9324	2x10	300	150	18.0 - 35.0	46	103	200.8	220	-	48.9	G 3/4"	18	35	160



- 1) The transfer valves can be set in the range from 50 to 200 bar
 - 2) The divider can be a combination of varied geometric volumes - pressure values in this case are given by the section with the greatest geometric volume
- * Values recommended for optimal division accuracy.

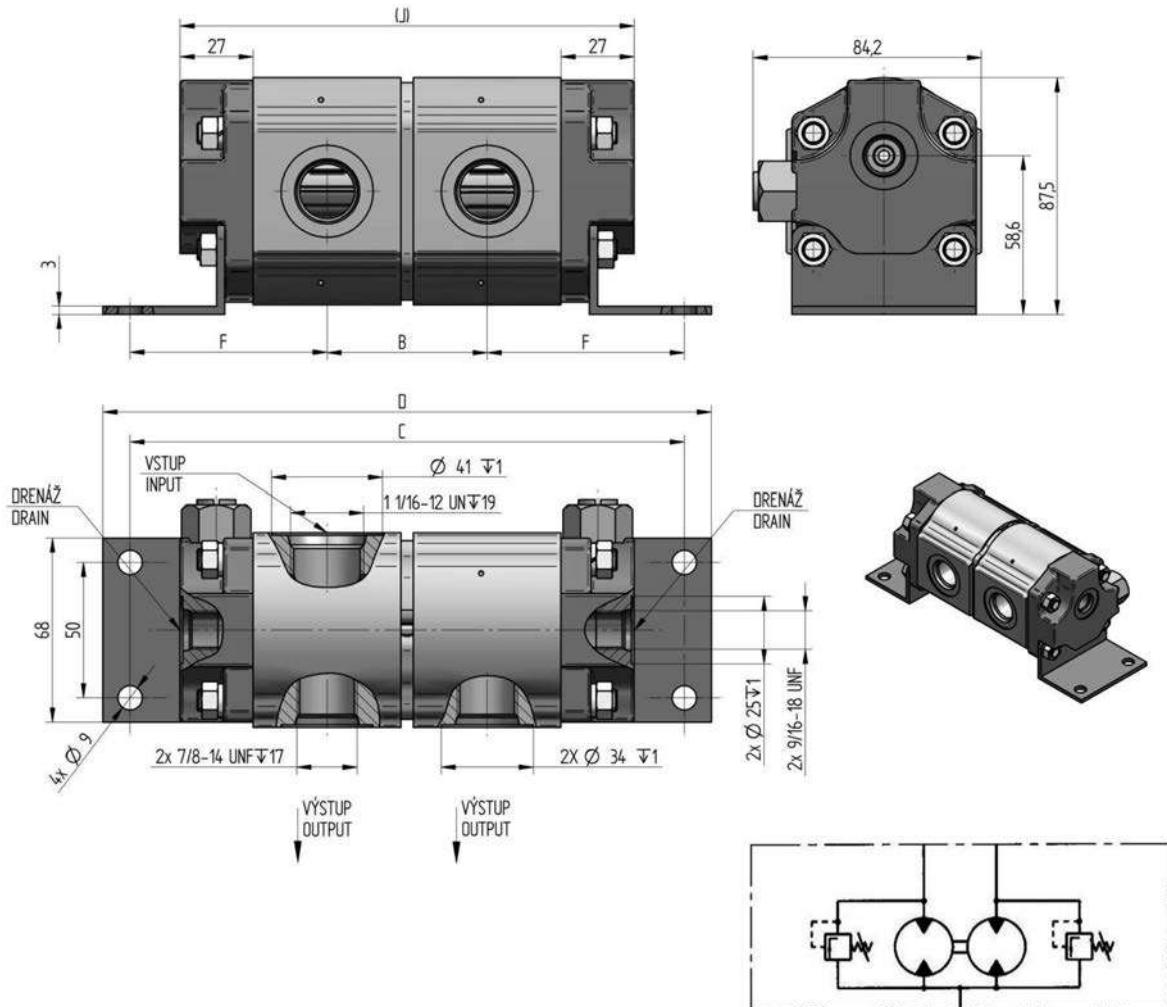
Type	ord. no.	geom. volume [cm ³]	nomin. pressure [bar]	max. pressure drop [bar]	flow section [dm ³ /min ⁻¹]	size									
						A [mm]	B [mm]	C [mm]	D [mm]	E [mm]	F [mm]	G [mm]	H [mm]	I [mm]	(J) [mm]
DPVT-4x27		4x27	260	150	45.9 - 89.1	46	135	429.5	449	86.0	61.4	G 3/4"	18	35	389
DPVT-4x25	189 9322	4x25	260	150	42.5 - 82.5	46	130	418.8	438	83.0	61.4	G 3/4"	18	39	378
DPVT-4x22		4x22	260	150	37.4 - 72.6	46	126	410.8	430	81.0	61.4	G 3/4"	18	35	370
DPVT-4x20	189 9321	4x20	260	150	34.0 - 66.0	46	123	378.8	398	73.0	54.9	G 3/4"	18	39	338
DPVT-4x16	189 9320	4x16	300	150	28.8 - 56.0	46	117	366.8	386	70.0	54.9	G 3/4"	18	39	326
DPVT-4x13	189 9319	4x13	300	150	23.4 - 45.5	46	112	332.8	352	61.5	48.9	G 3/4"	18	39	292
DPVT-4x10	189 9323	4x10	300	150	18.0 - 35.0	46	107	322.8	342	59.0	48.9	G 3/4"	18	35	282



- 1) The transfer valves can be set in the range from 50 to 200 bar
 - 2) The divider can be a combination of varied geometric volumes - pressure values in this case are given by the section with the greatest geometric volume
- * Values recommended for optimal division accuracy.

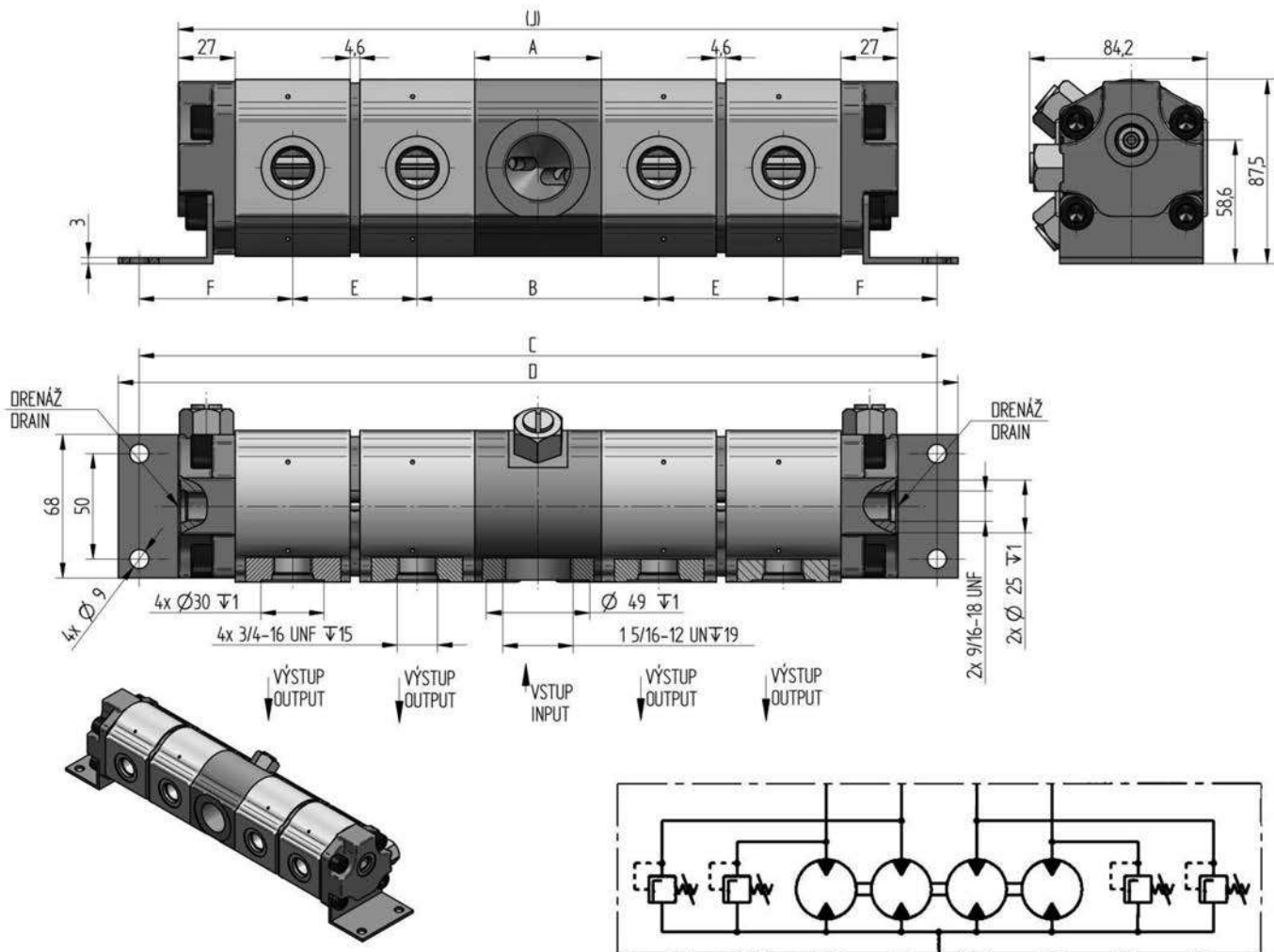
Type	ord. no.	geom. volume [cm ³]	nomin. pressure [bar]	max. pressure drop [bar]	flow section [dm ³ /min ⁻¹]	size									
						A [mm]	B [mm]	C [mm]	D [mm]	E [mm]	F [mm]	G [mm]	H [mm]	I [mm]	(J) [mm]
DPVT-5x25		5x25	260	150	42.5 - 82.5	46	130	501.8	521.0	83.0	61.4	G 3/4"	18	35	461.0
DPVT-5x22		5x22	260	150	37.4 - 72.6	46	126	491.8	511.0	81.0	61.4	G 3/4"	18	35	451.0
DPVT-5x20		5x20	260	150	34.0 - 66.0	46	123	451.8	471.0	82.0	61.4	G 3/4"	18	35	411.0
DPVT-5x16		5x16	300	150	28.8 - 56.0	46	117	436.8	456.0	70.0	54.9	G 3/4"	18	35	396.0
DPVT-5x13		5x13	300	150	23.4 - 45.5	46	112	394.3	413.5	61.5	48.9	G 3/4"	18	35	353.5
DPVT-5x10		5x10	300	150	18.0 - 35.0	46	107	381.8	401.0	59.0	48.9	G 3/4"	18	35	341.0

DPVJ



- 1) The transfer valves can be set in the range from 50 to 200 bar
 - 2) The divider can be a combination of varied geometric volumes - pressure values in this case are given by the section with the greatest geometric volume
- * Values recommended for optimal division accuracy.

Type	ord. no.	geom. volume [cm ³]	nomin. pressure [bar]	max. pressure drop [bar]	flow section [dm ³ /min ⁻¹]	size									
						A [mm]	B [mm]	C [mm]	D [mm]	E [mm]	F [mm]	G [mm]	H [mm]	I [mm]	(J) [mm]
DPVJ 2x12		2x12	220	150	12.0 - 36.0	-	69.8	226.0	246.0	-	78.0	-	-	-	189.0
DPVJ 2x10		2x10	250	150	10.0 - 30.0	-	64.4	215.3	235.3	-	75.4	-	-	-	178.3
DPVJ 2x8		2x8	280	150	9.6 - 28.0	-	59.1	204.6	224.6	-	72.7	-	-	-	167.6
DPVJ 2x6		2x6	280	150	7.2 - 21.0	-	53.8	193.9	213.9	-	70.0	-	-	-	156.9
DPVJ 2x4		2x4	280	150	6.0 - 16.0	-	48.4	183.2	203.2	-	67.4	-	-	-	146.2
DPVJ 2x3		2x3	280	150	4.5 - 12.0	-	45.8	177.9	197.9	-	66.0	-	-	-	140.9



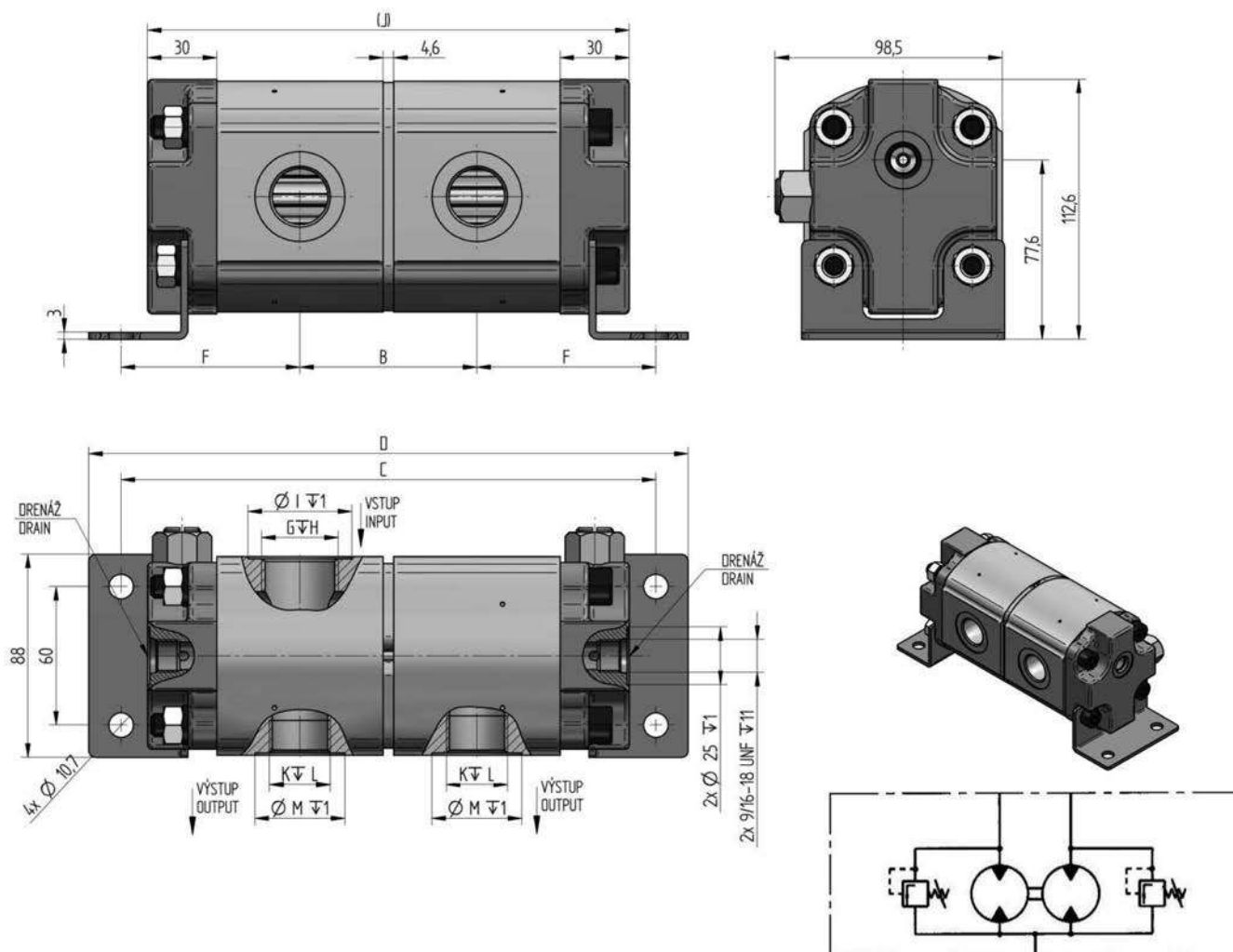
1) The transfer valves can be set in the range from 50 to 200 bar

2) The divider can be a combination of varied geometric volumes - pressure values in this case are given by the section with the greatest geometric volume

* Values recommended for optimal division accuracy.

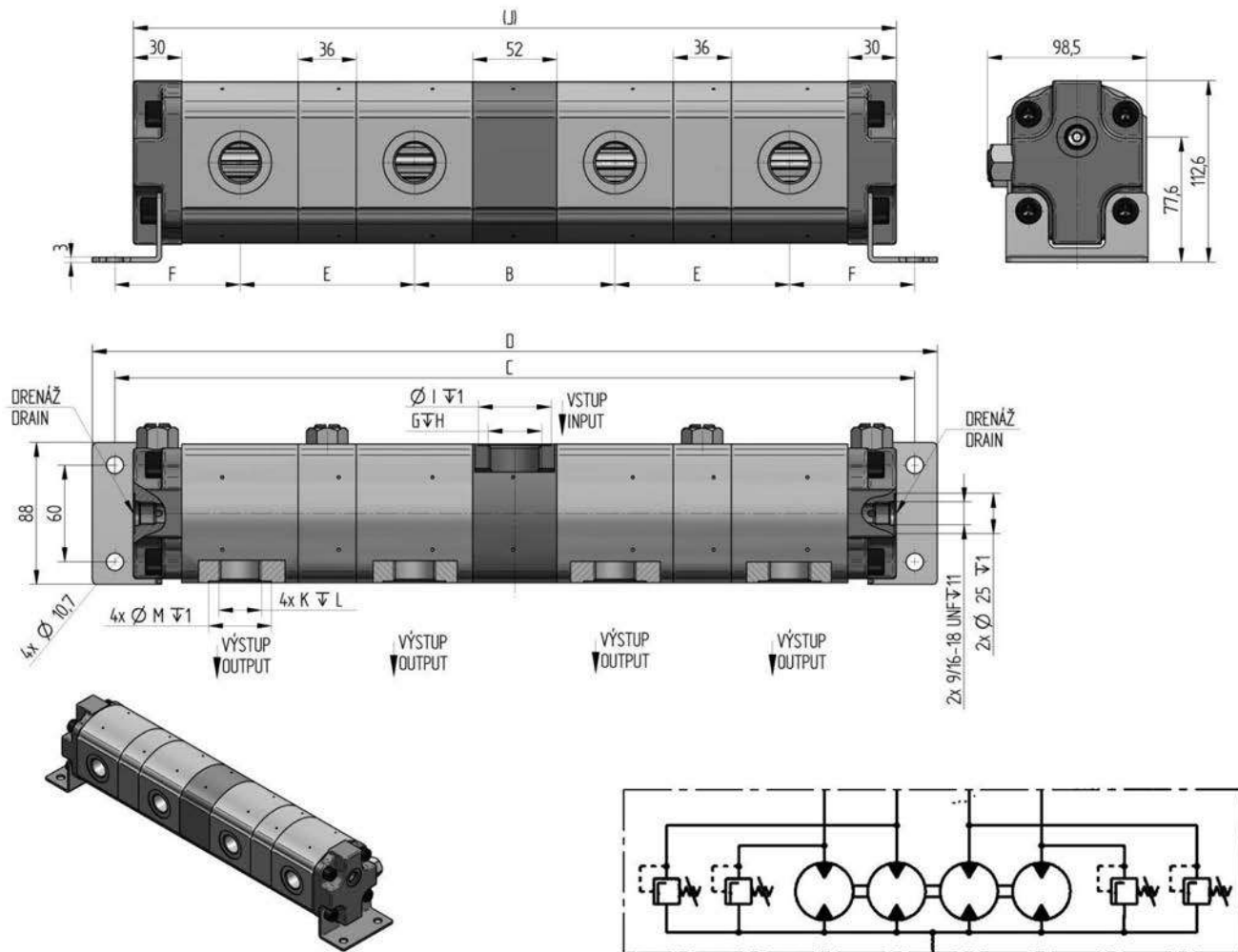
Type	ord. no.	geom. volume [cm ³]	nomin. pressure [bar]	max. pressure drop [bar]	flow section [dm ³ /min ⁻¹]	size									
						A [mm]	B [mm]	C [mm]	D [mm]	E [mm]	F [mm]	G [mm]	H [mm]	I [mm]	(J) [mm]
DPVJ 4x12		2x12	220	150	12.0 - 36.0	-	125.2	420.9	440.9	69.8	78.0	-	-	-	383.9
DPVJ 4x10		2x10	250	150	10.0 - 30.0	-	119.8	399.6	419.6	64.4	75.4	-	-	-	362.6
DPVJ 4x8		2x8	280	150	9.6 - 28.0	-	114.5	378.2	398.2	59.1	72.7	-	-	-	341.2
DPVJ 4x6		2x6	280	150	7.2 - 21.0	-	109.2	356.8	376.8	53.8	70.0	-	-	-	319.8
DPVJ 4x4		2x4	280	150	6.0 - 16.0	-	103.8	335.5	355.5	48.4	67.4	-	-	-	298.5
DPVJ 4x3		2x3	280	150	4.5 - 12.0	-	101.2	324.8	344.8	45.8	66.0	-	-	-	287.8

DPVT3



- 1) The transfer valves can be set in the range from 50 to 200 bar
 - 2) The divider can be a combination of varied geometric volumes - pressure values in this case are given by the section with the greatest geometric volume
- * Values recommended for optimal division accuracy.

Type	ord. no.	geom. volume [cm ³]	nomin. pressure [bar]	max. pressure drop [bar]	flow section [dm ³ /min ⁻¹]	size										
						B [mm]	C [mm]	D [mm]	F [mm]	G [mm]	H [mm]	I [mm]	(J) [mm]	K [mm]	L [mm]	M [mm]
DPVT3 2x25		2x25	210	150	25.0 - 75.0	84.6	247.7	275.7	81.5	G1"	18	45	224.7	G3/4"	16	39
DPVT3 2x20		2x20	240	150	20.0 - 60.0	76.7	231.9	259.9	77.6	G1"	18	45	208.9	G3/4"	16	39
DPVT3 2x16		2x16	280	150	19.2 - 51.0	70.4	219.4	247.4	74.5	G3/4"	16	39	196.4	G1/2"	14	33
DPVT3 2x12		2x12	280	150	14.4 - 38.4	64.2	206.8	234.8	71.3	G3/4"	16	39	183.8	G1/2"	14	33
DPVT3 2x8		2x8	280	150	12.0 - 30.4	57.9	194.2	222.2	68.2	G1/2"	14	33	171.2	G1/2"	14	33
DPVT3 2x6		2x6	280	150	9.0 - 22.8	54.7	187.9	215.9	66.6	G1/2"	14	33	164.9	G1/2"	14	33

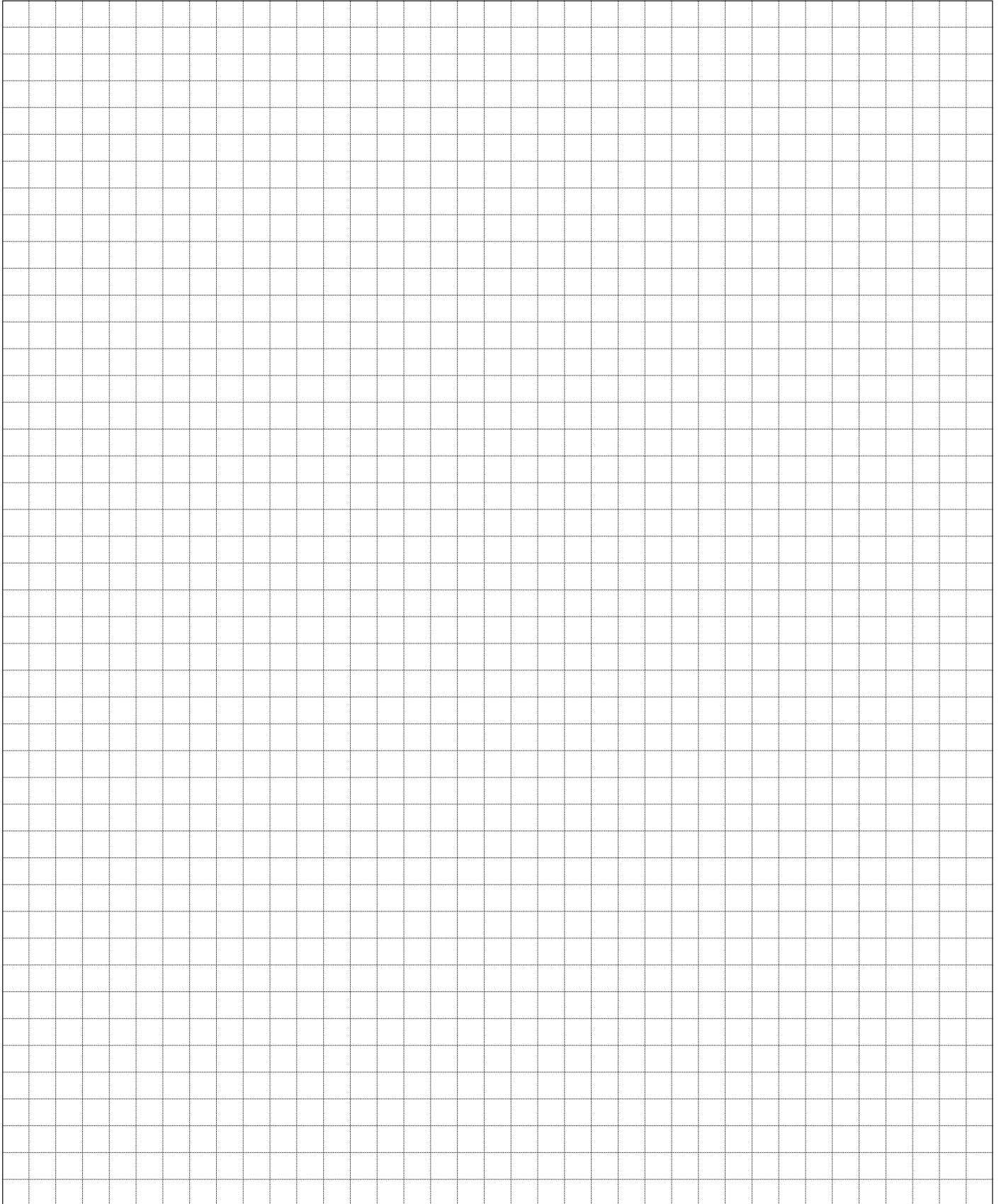


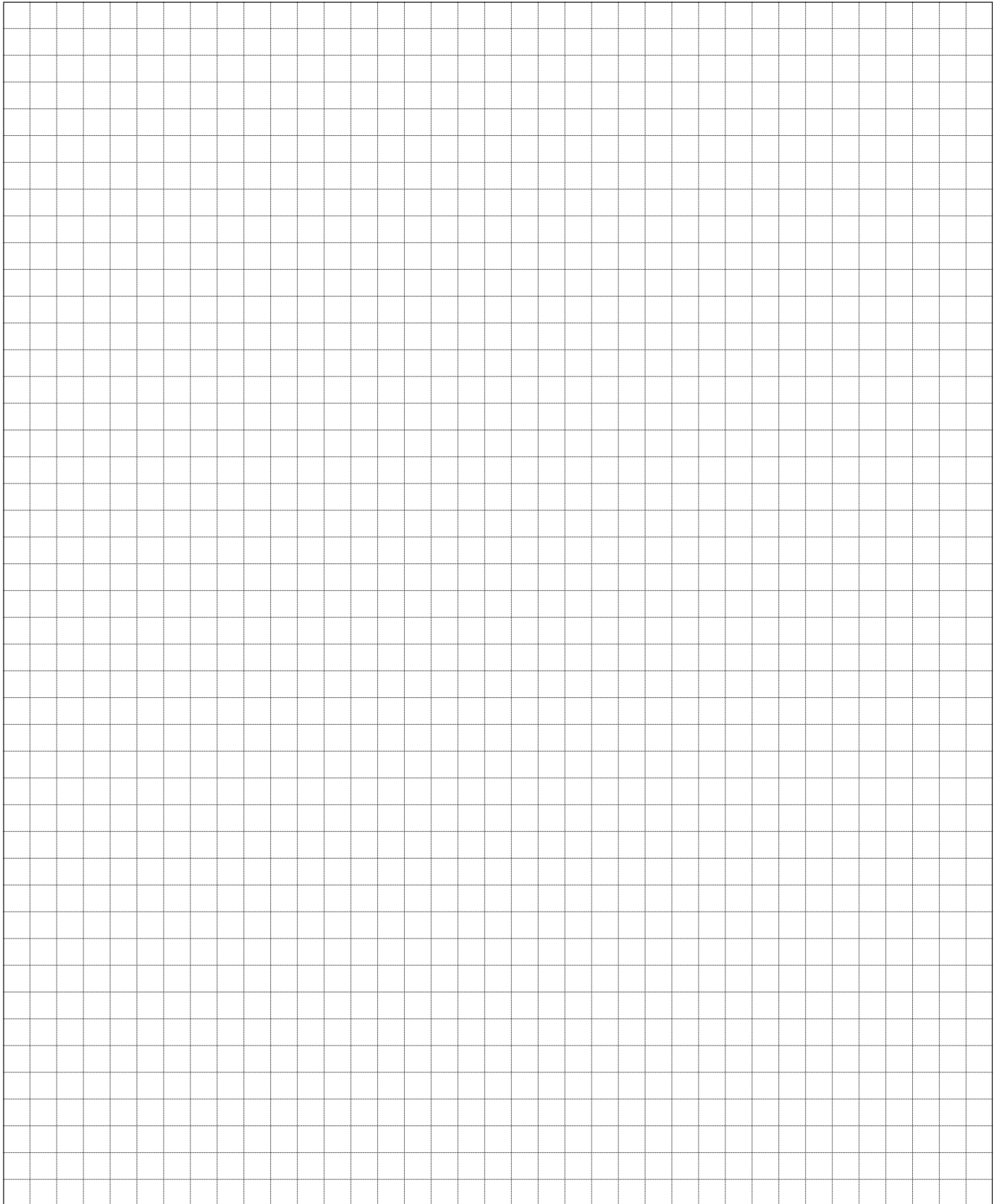
1) The transfer valves can be set in the range from 50 to 200 bar

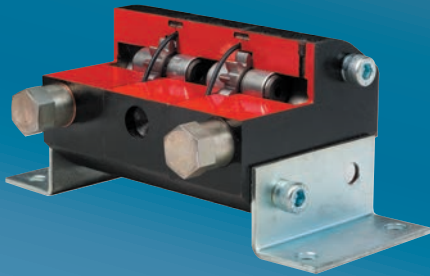
2) The divider can be a combination of varied geometric volumes - pressure values in this case are given by the section with the greatest geometric volume

* Values recommended for optimal division accuracy.

Type	ord. no.	geom. volume [cm ³]	nomin. pressure [bar]	max. pressure drop [bar]	flow section [dm ³ /min ⁻¹]	size										
						B [mm]	C [mm]	D [mm]	F [mm]	G [mm]	H [mm]	I [mm]	(J) [mm]	K [mm]	L [mm]	M [mm]
DPVT3 4x25		4x25	210	150	25.0 - 75.0	132.0	527.0	555.0	81.5	G1"	18	45	504.0	G3/4"	16	39
DPVT3 4x20		4x20	240	150	20.0 - 60.0	124.1	495.5	523.5	77.6	G1"	18	45	472.5	G3/4"	16	39
DPVT3 4x16		4x16	280	150	19.2 - 51.0	117.8	470.4	498.4	74.5	G1"	16	39	447.4	G1/2"	14	33
DPVT3 4x12		4x12	280	150	14.4 - 38.4	111.6	445.3	473.3	71.3	G3/4"	16	39	422.3	G1/2"	14	33
DPVT3 4x8		4x8	280	150	12.0 - 30.4	105.3	420.1	448.1	68.2	G3/4"	14	33	397.1	G1/2"	14	33
DPVT3 4x6		4x6	280	150	9.0 - 22.8	102.1	407.4	435.4	66.6	G3/4"	14	33	384.4	G1/2"	14	33







jihostroj
AERO TECHNOLOGY & HYDRAULICS

JIHOSTROJ a.s.
Budějovická 148
CZ 382 32 Velešín
Czech Republic
tel.: +420 380 340 511
fax: +420 380 340 612
e-mail: mailbox@jihostroj.cz
http: //www.jihostroj.com

GPS 48°49'51.748" N 14°27'40.770" E

