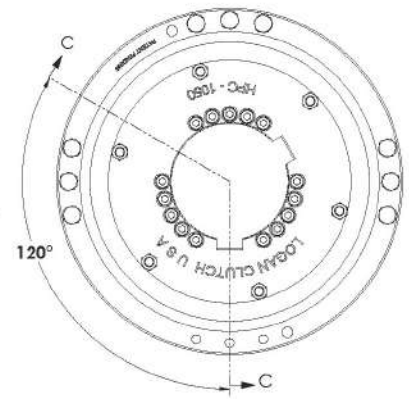
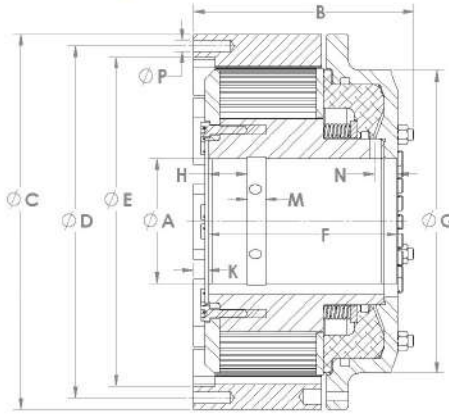




# New! Logan High Pressure Clutch (HPC) Series



Patent Pending.



## WET OPERATION

English Units	HPC 1050	HPC 1150	HPC 1350	HPC 1440	HPC 1640	HPC 1940	HPC 2150	HPC 2400	HPC 2650	HPC 2950
Size										
Torque (lb-in)	145000	206000	290000	400000	560000	800000	1120000	1600000	2300000	2880000
Operating Pressure (psi)	360	360	360	360	360	360	360	360	360	360
Speed Engaged (rpm)	2200	2200	2000	1800	1600	1200	1200	1000	900	700
Speed Disengaged (rpm)	2000	1800	1700	1400	1400	1200	800	700	600	500
Weight (lbs)	147.0	225.0	295.0	373.0	510.0	700.0	940.0	1300.0	1840.0	2330.0
ØA Bore Max (in)	4.400	4.920	5.910	6.500	7.500	8.500	9.250	10.430	11.220	12.400
ØA Bore Min (in)	3.720	4.440	4.980	5.980	6.980	7.860	8.500	9.000	10.550	11.380
B (in)	7.630	8.190	9.520	10.390	11.650	12.340	14.140	15.340	16.210	17.200
* ØC (in)	13.000	14.375	16.250	17.750	19.750	22.500	24.410	27.560	31.000	34.000
* ØD (in)	12.200	13.390	15.350	16.930	18.900	20.870	23.030	25.980	29.130	32.280
ØE (in)	11.417	12.598	14.567	15.945	17.913	19.685	21.654	24.409	27.362	30.709
F (in)	6.680	7.280	8.270	9.250	10.430	11.180	12.160	13.540	14.520	15.510
ØG (in)	10.500	12.000	13.500	15.000	16.500	18.500	21.250	24.250	27.000	30.000
H (in)	1.340	1.420	1.650	1.750	2.090	2.440	2.710	3.070	3.150	3.350
K (in)	0.390	0.390	0.390	0.390	0.390	0.390	0.390	0.390	0.390	0.390
M (in)	0.630	0.790	0.590	0.810	0.790	0.790	0.790	0.790	0.790	0.790
N (in)	0.900	1.060	1.140	1.260	1.420	1.410	1.490	1.770	1.850	1.930
P Qty. - Size	12 x M12	12 x M14	18 x M12	18 x M14	18 x M16	18 x M20	18 x M24	18 x M24	24 x M24	24 x M24
Metric Units	HPC 1050	HPC 1150	HPC 1350	HPC 1440	HPC 1640	HPC 1940	HPC 2150	HPC 2400	HPC 2650	HPC 2950
Size										
Torque (N-m)	16384	23277	32768	45198	63277	90395	126554	180791	259887	325424
Operating Pressure (Bar)	25	25	25	25	25	25	25	25	25	25
Speed Engaged (rpm)	2200	2200	2000	1800	1600	1200	1200	1000	900	700
Speed Disengaged (rpm)	2000	1800	1700	1400	1400	1200	800	700	600	500
Weight (kg)	67	102	134	170	232	318	427	591	836	1059
ØA Bore Max (mm)	112	125	150	165	191	216	235	265	285	315
ØA Bore Min (mm)	94	113	126	152	177	200	216	229	268	289
B (mm)	194	208	242	264	296	313	359	390	412	437
* ØC (mm)	330	365	413	451	502	572	620	700	787	864
* ØD (mm)	310	340	390	430	480	530	585	660	740	820
ØE (mm)	290	320	370	405	455	500	550	620	695	780
F (mm)	170	185	210	235	265	284	309	344	369	394
ØG (mm)	267	305	343	381	419	470	540	616	686	762
H (mm)	34	36	42	44	53	62	69	78	80	85
K (mm)	10	10	10	10	10	10	10	10	10	10
M (mm)	16	20	15	21	20	20	20	20	20	20
N (mm)	23	27	29	32	36	36	38	45	47	49
P Qty. - Size	12 x M12	12 x M14	18 x M12	18 x M14	18 x M16	18 x M20	18 x M24	18 x M24	24 x M24	24 x M24

Dynamic torque shown. Static torque 25% greater • All data subject to change.



Logan Clutch Corporation • (440) 808-4258 • 1-800-5-CLUTCH • Fax (440) 808-0003

www.loganclutch.com • sales@loganclutch.com

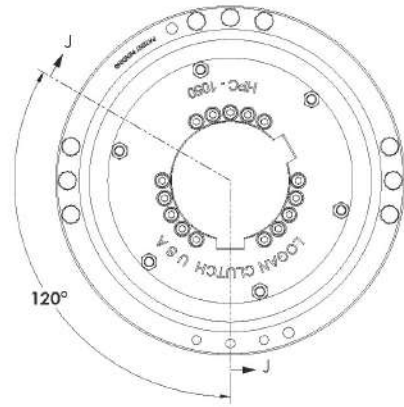
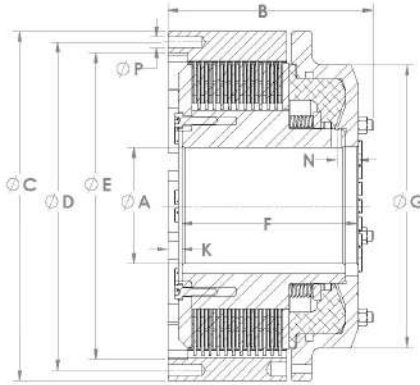




# New! Logan High Pressure Clutch (HPC) Series



Patent Pending.



## DRY OPERATION

English Units	HPC 1050	HPC 1150	HPC 1350	HPC 1440	HPC 1640	HPC 1940	HPC 2150	HPC 2400	HPC 2650	HPC 2950
Size										
Torque (lb-in)	145000	206000	290000	400000	560000	800000	1120000	1600000	2300000	2880000
Operating Pressure (psi)	240	240	240	240	240	240	240	240	240	240
Speed Engaged (rpm)	2200	2200	2000	1800	1600	1200	1200	1000	900	700
Speed Disengaged (rpm)	2000	1800	1700	1400	1400	1200	800	700	600	500
Weight (lbs)	147.0	225.0	295.0	373.0	510.0	700.0	940.0	1300.0	1840.0	2330.0
ØA Bore Max .(in)	4.400	4.920	5.910	6.500	7.500	8.500	9.250	10.430	11.220	12.400
ØA Bore Min .(in)	3.720	4.440	4.980	5.980	6.980	7.860	8.500	9.000	10.550	11.380
B (in)	7.630	8.190	9.520	10.390	11.650	12.340	14.140	15.340	16.210	17.200
* ØC (in)	13.000	14.375	16.250	17.750	19.750	22.500	24.410	27.560	31.000	34.000
* ØD (in)	12.200	13.390	15.350	16.930	18.900	20.870	23.030	25.980	29.130	32.280
ØE (in)	11.417	12.598	14.567	15.945	17.913	19.685	21.654	24.409	27.362	30.709
F (in)	6.680	7.280	8.270	9.250	10.430	11.180	12.160	13.540	14.520	15.510
ØG (in)	10.500	12.000	13.500	15.000	16.500	18.500	21.250	24.250	27.000	30.000
H (in)	1.340	1.420	1.650	1.750	2.090	2.440	2.710	3.070	3.150	3.350
K (in)	0.390	0.390	0.390	0.390	0.390	0.390	0.390	0.390	0.390	0.390
M (in)	0.630	0.790	0.590	0.810	0.790	0.790	0.790	0.790	0.790	0.790
N (in)	0.900	1.060	1.140	1.260	1.420	1.410	1.490	1.770	1.850	1.930
P Qty. - Size	12 x M12	12 x M14	18 x M12	18 x M14	18 x M16	18 x M20	18 x M24	18 x M24	24 x M24	24 x M24
Metric Units	HPC 1050	HPC 1150	HPC 1350	HPC 1440	HPC 1640	HPC 1940	HPC 2150	HPC 2400	HPC 2650	HPC 2950
Size										
Torque (N-m)	16384	23277	32768	45198	63277	90395	126554	180791	259887	325424
Operating Pressure (Bar)	16.5	16.5	16.5	16.5	16.5	16.5	16.5	16.5	16.5	16.5
Speed Engaged (rpm)	2200	2200	2000	1800	1600	1200	1200	1000	900	700
Speed Disengaged (rpm)	2000	1800	1700	1400	1400	1200	800	700	600	500
Weight (kg)	67	102	134	170	232	318	427	591	836	1059
ØA Bore Max .(mm)	112	125	150	165	191	216	235	265	285	315
ØA Bore Min .(mm)	94	113	126	152	177	200	216	229	268	289
B (mm)	194	208	242	264	296	313	359	390	412	437
* ØC (mm)	330	365	413	451	502	572	620	700	787	864
* ØD (mm)	310	340	390	430	480	530	585	660	740	820
ØE (mm)	290	320	370	405	455	500	550	620	695	780
F (mm)	170	185	210	235	265	284	309	344	369	394
ØG (mm)	267	305	343	381	419	470	540	616	686	762
H (mm)	34	36	42	44	53	62	69	78	80	85
K (mm)	10	10	10	10	10	10	10	10	10	10
M (mm)	16	20	15	21	20	20	20	20	20	20
N (mm)	23	27	29	32	36	36	38	45	47	49
P Qty. - Size	12 x M12	12 x M14	18 x M12	18 x M14	18 x M16	18 x M20	18 x M24	18 x M24	24 x M24	24 x M24

Dynamic torque shown. Static torque 25% greater • All data subject to change.



Logan Clutch Corporation • (440) 808-4258 • 1-800-5-CLUTCH • Fax (440) 808-0003

www.loganclutch.com • sales@loganclutch.com

