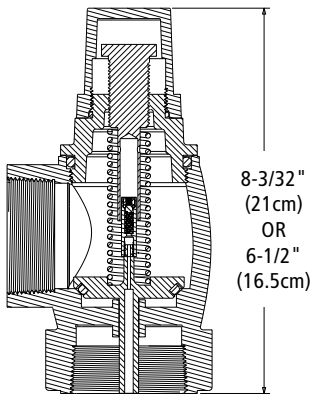


## OPW 199ASV Anti-Siphon Valve

The OPW 199ASV Anti-Siphon Valve is designed to help prevent siphoning of an above ground storage tank should a leak or break occur in the fuel supply line. The 199ASV installs on the top of an above ground storage tank with a suction rod on the inlet and the fuel supply line (to a remote pump) on the outlet of the valve. A poppet in the valve remains normally closed, isolating the tank from siphoning. When the remote pump is activated, it overcomes a factory-adjusted spring set to a predetermined hydrostatic head pressure and allows flow of fuel out of the AST. An internal pressure relief valve helps absorb thermal expansion in the fuel supply line. The 199ASV is available in female NPT threads with four different factory-adjusted hydrostatic head pressure settings.



- ◆ 8<sup>3</sup>/<sub>32</sub>" model for 1½" and 2" (20.55 cm model for 3.81 cm and 5.08 cm)
- ◆ 6½" model for ¾" and 1" (16.51 cm model for 1.90 cm and 2.54 cm)

## Materials

- Body:** Clear anodized aluminum
- Bonnet:** Powder-coated aluminum
- Cap:** Powder-coated aluminum
- Spring:** Stainless steel
- Poppet:** Hard-coated aluminum
- Screw:** Hard-coated aluminum
- Poppet Seal:** Nitrile



199ASV

## Features

- ◆ Factory-Adjusted Hydrostatic Head Pressure Settings – allow for quick, safe and easy installation on above ground tanks.
- ◆ Internal Pressure Relief Valve – helps protect piping and fittings from damage due to thermal expansion. Set to operate between 20 to 40 PSI (1.3 to 2.7 bar).
- ◆ Aluminum Bodies – compatible with gasoline, diesel, kerosene, ethanol, methanol, fuel oil and jet fuels.
- ◆ Temperature Rating – -20°F - 120°F (29°C - 49°C)

Valve Rating  
ft of gasoline  
S.G. = 0.7

## Approximate Cracking Pressure

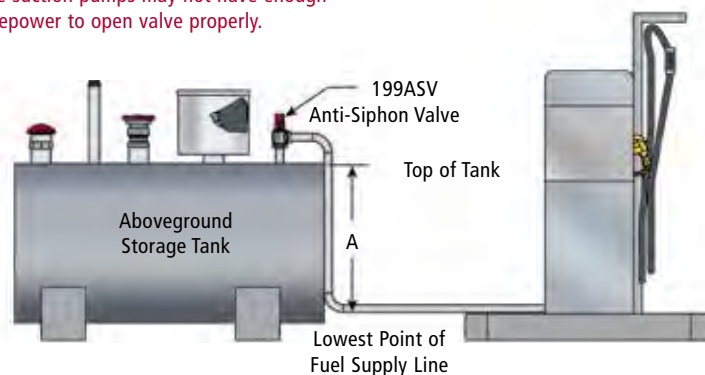
	PSI	ft. H <sub>2</sub> O	in. H <sub>2</sub> O	in. Hg	ft. Gas	ft. Diesel
0-5	1.88	4.33	51.96	3.85	6.2	5.35
5-10	3.68	8.48	101.76	7.53	12.12	10.47
10-15	5.6	12.92	155.04	11.47	18.51	15.95
15-20	7.4	17.07	204.84	15.16	24.4	21.07

\*Note: Some suction pumps may not have enough horsepower to open valve properly.

## Ordering Specifications

Product #	in.	mm	lbs.	kgs	Hydrostatic Head Pressure* (Dimension A)
199ASV-1075	¾	19	1.6	.725	0'-5'
199ASV-2075	¾	19	1.6	.725	5'-10'
199ASV-3075	¾	19	1.6	.725	10'-15'
199ASV-1100	1	25	1.6	.725	0'-5'
199ASV-2100	1	25	1.6	.725	5'-10'
199ASV-3100	1	25	1.6	.725	10'-15'
199ASV-1150	1½	38	2.0	.907	0'-5'
199ASV-2150	1½	38	2.0	.907	5'-10'
199ASV-3150	1½	38	2.0	.907	10'-15'
199ASV-1200	2	51	2.0	.907	0'-5'
199ASV-2200	2	51	2.0	.907	5'-10'
199ASV-3200	2	51	2.0	.907	10'-15'

\*Note: Head Pressure calculated for gasoline.



## Listings and Certifications



**Warning:** Do not disassemble.  
Do not field adjust.