

# **Pomac** Pumps

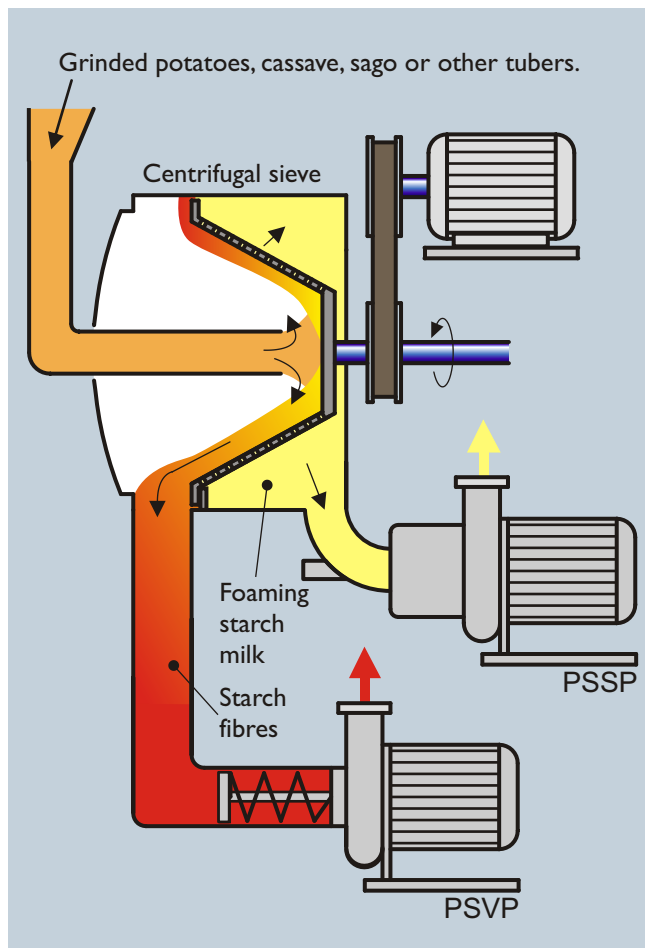
***Pumps for starch production processes***



**PS**

## Stainless steel pumps for starch production processes

The **Pomac PS** series represents the complete range of duty pumps for starch production processes. The programme comprises the necessary pump types for all duties during the different stages of the starch production process. These smooth finished stainless steel pumps are characterized by their optimal hydraulic performance, but also by their unique, modular designed construction and an ample choice of possible shaft sealing materials.



Capacity:  
upto 60 m<sup>3</sup>/h  
at 0,8 bar

The PSSP is capable of pumping foaming slurries during the starch production process. A special internal construction enables transporting slurries which contain air or which are foaming. Firstly the liquid is de-aerated and de-foamed in the so-called de-foaming compartment. Subsequently, via guide blades, the liquid enters the pump casing, where it is pumped.

### PSVP

#### Pumps for fibrous slurries



Capacity:  
upto 60 m<sup>3</sup>/h  
at 0,3 bar

The fibrous slurries, which are separated in the centri-sieve, will be pumped by the PSVP pump. The close coupled screw on the impeller ensures a flow of the fibrous slurry to the impeller. Entrapped air in the liquid is constantly evacuated through the inner channel of the screw.

### PSCP

#### Centrifugal pumps



Capacity:  
upto 70 m<sup>3</sup>/h  
at 4 bar

The PSCP pump is used for pumping the partially de-foamed starch milk to the hydrocyclones. The pump casing is easily accessible for maintenance.

### PSCP/ZA

#### Self priming centrifugal pumps

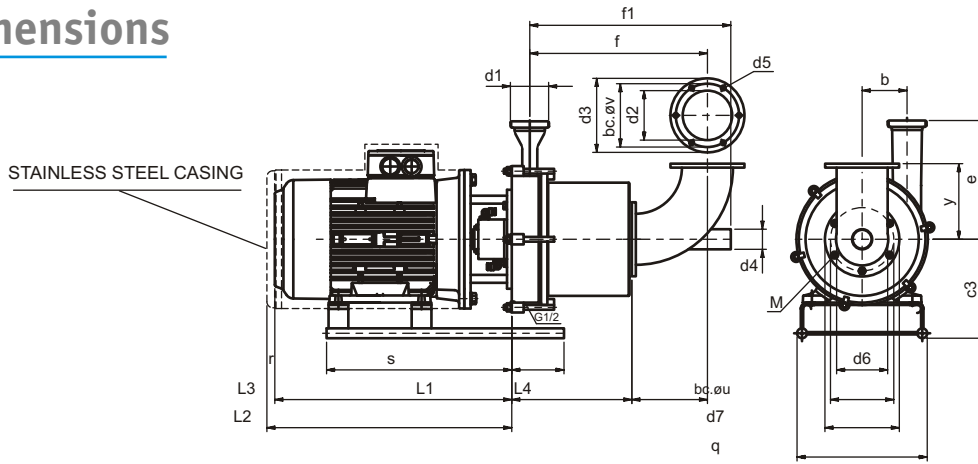


Capacity:  
upto 60 m<sup>3</sup>/h  
at 0,8 bar

This pump is a self priming centrifugal pump, which is capable of pumping liquids that contain a certain amount of air or foam and can be used as an alternative for the PSSP.

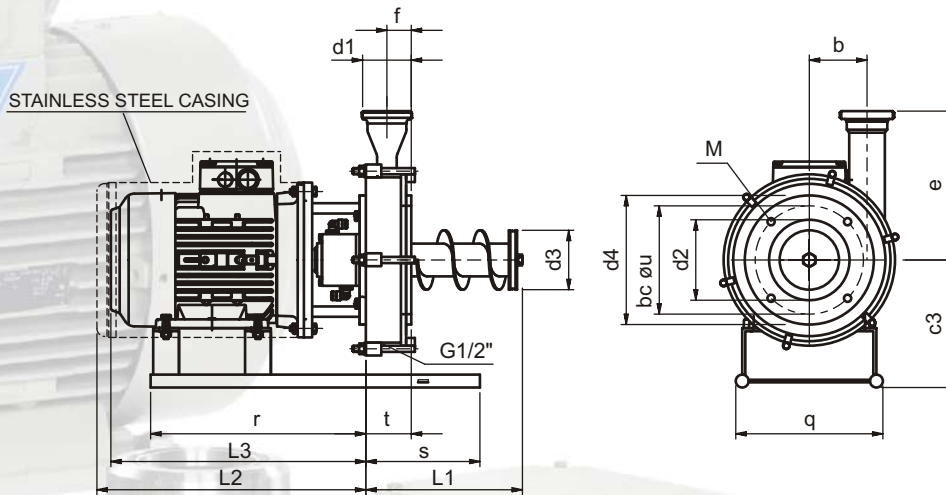
# Dimensions

# PSSP DSV F



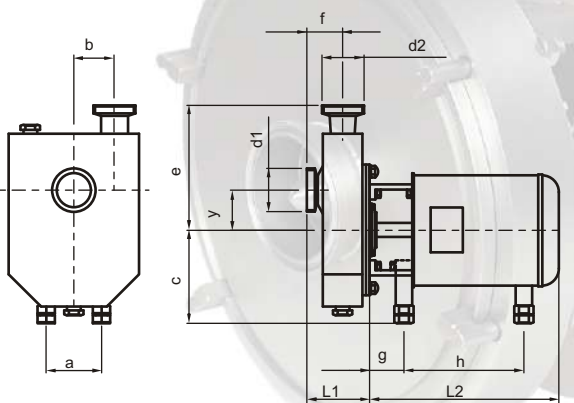
Pump type	P	speed	b	c3	d1	d2	d3	d4	d5	d6	d7	e	f	f1	L1	L2	L3	L4	M	q	r	s	u	v	y
PSSP 23584	4	1500	94	200	2"	4"	160	33	11	4"	160	200	348		474	454	10	255	360	100	130	130	153		
PSSP 23584,5	5	1500	94	175	2"	4"	160	33	11	4"	160	200	348		474	454	10	255	379	100	130	130	153		
PSSP 23584,5	3000	94	175	2"	4"	160	33	11	4"	160	200	348		514	494	10	291	379	100	130	130	153			
PSSP 2951067,5	3000	114	250	3"	5"	187	50,8	11	5"	187	305	437	508	300	514	494	194	10	291	379	100	160	160	191	
PSSP 29510611	3000	114	250	3"	5"	187	50,8	11	5"	187	305	437	508	300	620	600	194	10	329	468	132	160	160	191	
PSSP 29510615	3000	114	250	3"	5"	187	50,8	11	5"	187	305	437	508	300	620	600	194	10	329	468	132	160	160	191	
PSSP 3902010	30	1500	166	300	5"	8"	320	76,1	11	10"	320	548	819		575	595	575	10	390	597	293	290			

# PSVP DSV F



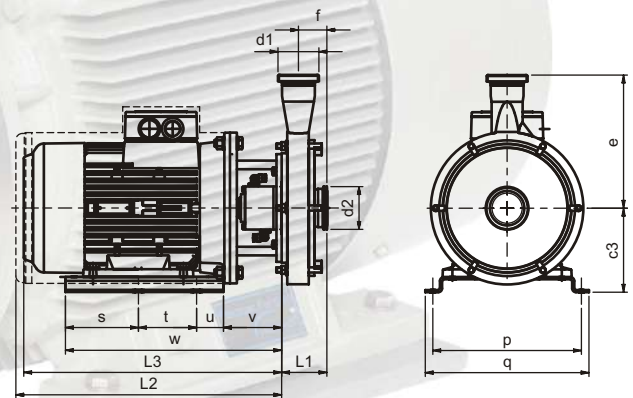
Pump type	P	speed	b	c3	d1	d2	d3	d4	e	f	L1	L2	L3	M	q	r	s	t	u
PSVP 235-4	4	1500	94	-	2"	120	110	180	200	38	270	474	454	10	-	-	-	76,5	154
PSVP 295-6	7,5	1500	114	250	3"	156	115	250	305	47	326	514	494	16	300	422	328	88	210
PSVP 295-6	11	3000	114	250	3"	156	115	250	305	47	326	619	599	16	300	473	297	88	210

# PSCP/ZA DSM



Pump type	P	a	b	c1	d1	d2	e	f	g	h	L1	L2
PSCP/ZA 19566	7,5	188	87	220	150	80	258	191	64	359	257	544
PSCP/ZA 19566	11	212	87	250	150	80	258	191	69	464	257	679
PSCP/ZA 2356611/15	212	113	250	150	80	339	191	69	464	257	679	
PSCP/ZA 23588	15	212	98	250	150	100	353	233	69	464	314	679

# PSCP DSV



Pump type	P	speed	c3	d1	d2	e	f	L1	L2	L3	p	q	s	t	u	v	w
PSCP 30066	7,5	3000	200	3"	3"	310	72	110	514	494		285				-371	379
PSCP 30066	15	3000	200	3"	3"	310	72	110	619	599	345	380	177	135	62	135	509
PSCP 30066	18,5	3000	200	3"	3"	310	72	110	619	599	345	380	177	135	62	135	509
PSCP 30066	22	3000	200	3"	3"	310	72	110	698	678	365	415	600	135	60	138	393

# Construction

## Possible set-ups

- DSV(F)** Pump and motor are close coupled and placed on a stainless steel frame.
- DSV(MF)** Pump and motor are close coupled and placed on a stainless steel frame. The motor is provided with a stainless steel shroud.
- DSM** Pump and motor are close coupled. The motor is provided with a stainless steel shroud and is fitted on 3 adjustable stainless steel feet.

*Other pump-motor assemblies are available on request.*

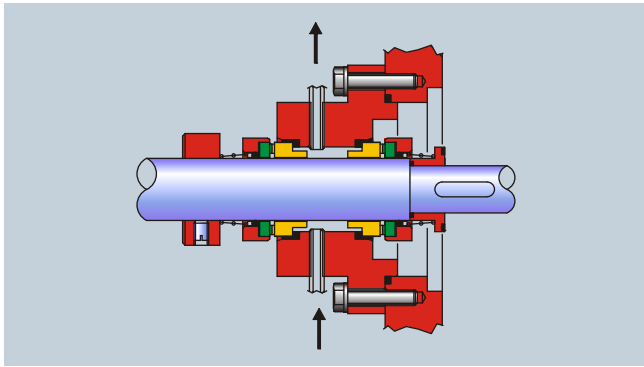
## Materials

All hydraulic parts that come into contact with the pumped liquid are made of stainless steel AISI 316.

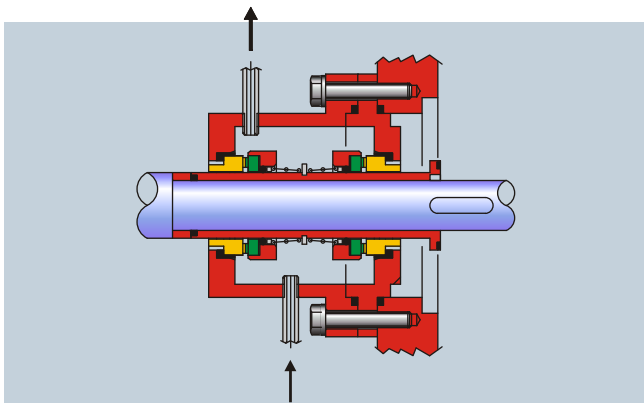
## Shaft seals

### Type designation:

The following shaft seals are available:



**Q1** Double mechanical seal with quench (face to face) unbalanced.



**F1** Double mechanical seal with flush (back to back) unbalanced.

## Connections

All pump versions are available with:

- Couplings acc. to DIN 11851, RJT, SMS, etc.
- Tube connections acc. to NEN 1472 and DIN 1850
- Flange connections acc. to DIN 2576
- Tri-clamp
- A customer specified connection

## Drives

The electric motors can be supplied in all available protection- and isolation classes and voltages, as well as in noiseless execution.

The Pomac delivery program - besides the pump assortment in this brochure - comprises an extensive choice of:

- stainless steel hygienic pumps
- lobe pumps
- impeller pumps
- screw pumps

More detailed information on these pump types is available and will be sent to you on request.

Pomac Pumps produces and supplies a complete range of stainless steel centrifugal and positive displacement pumps for the international market. These pumps are used in food and drug industries as well as in pharmaceutical and chemical industries. The Pomac organisation is characterised by a high degree of customer focussing, flexibility, good service and fast deliveries. Pomac guarantees high quality and reliability in every detail!

# Pomac Pumps

**Pomac b.v.**

Feithspark 13 - 9356 BX Tolbert  
P.O. Box 32 - 9356 ZG Tolbert  
Holland

tel +31 (0)594 512877

fax +31 (0)594 517002

E-mail: [info@pomacpumps.com](mailto:info@pomacpumps.com)

[www.pomacpumps.com](http://www.pomacpumps.com)