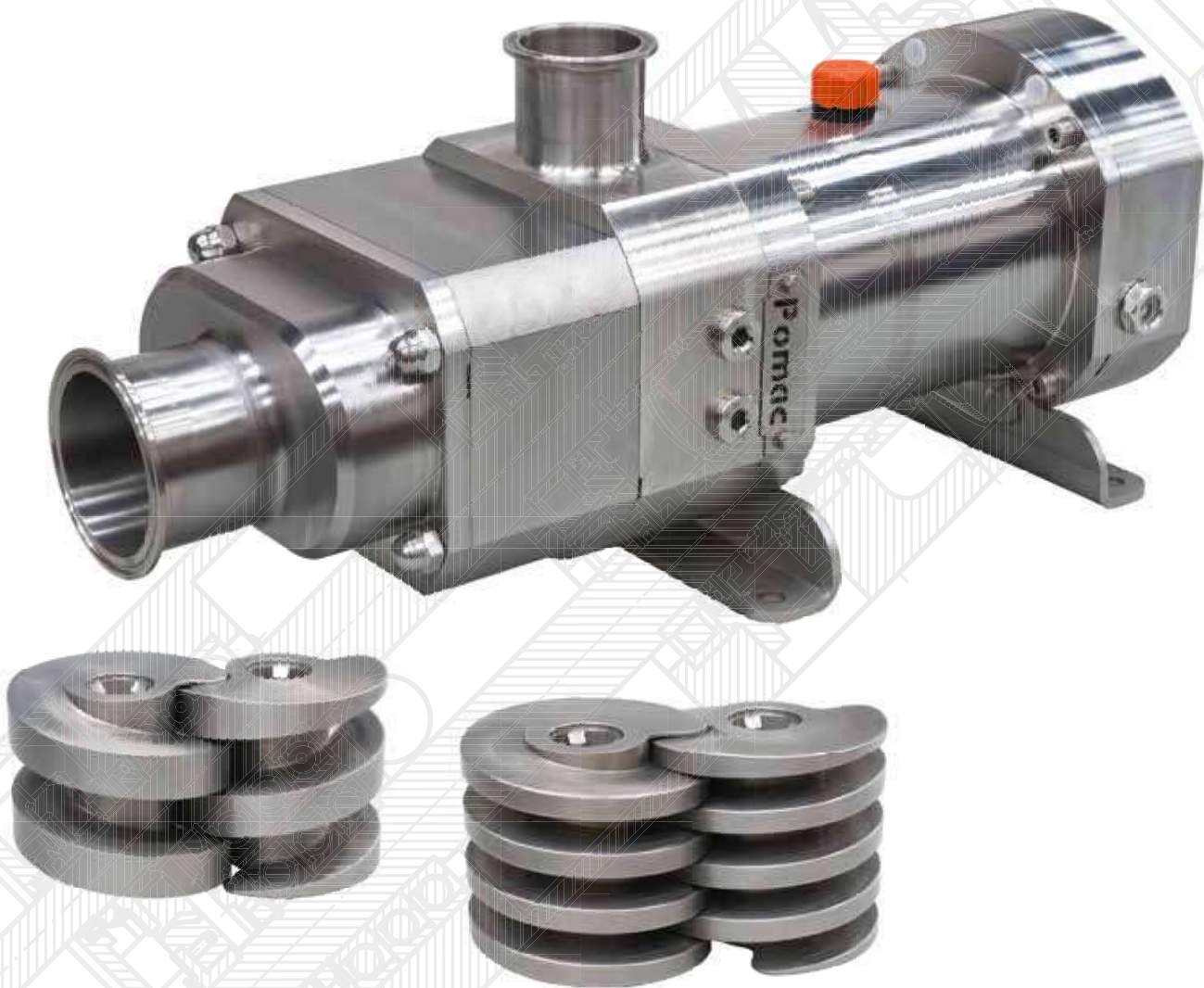


PDSP

**Double screw pumps
for pumping food, chemical and pharmaceutical products**



Pomac Pumps

Pomac Double Screw Pump

Pomac Pumps has a long-time experience in developing and producing pumps for the food, chemical and pharmaceutical industry.

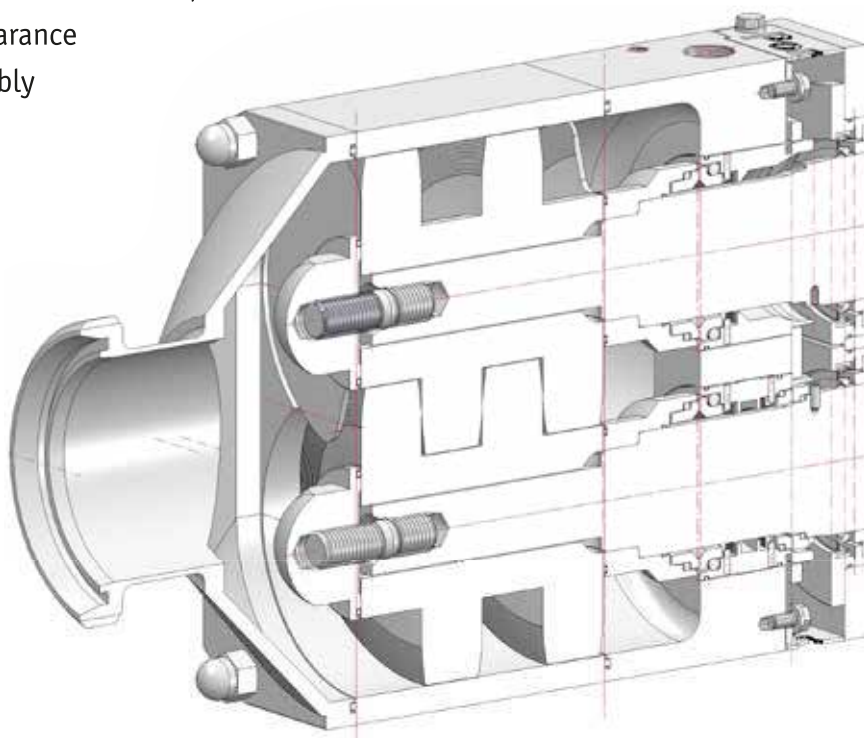
Our production comprises:

- centrifugal pumps
- self-priming centrifugal pumps
- lobe pumps
- special pumps for pumping starch
- special pumps for pumping solids

We are proud to present you our latest development: the **PDSP** Pomac Double Screw Pump.

With this program we offer you a complete range of double screw pumps with the following characteristics:

- all pumps comply with EHEDG
- the speed range goes up to 3600 rpm
- this speed range variation makes these pumps suitable for pumping viscous as well as thin liquids
- self-priming
- suitable for pumping vulnerable products as well as products containing vulnerable solids
- for a reliable and efficient functioning the pumps are equipped with precision machined screws, which guarantees a proper clearance
- simple disassembly and assembly
- pulsation-free



Pump selection

Selecting a pump will depend on a large number of variables, but the starting point will always be that there is a minimal product damage.

Furthermore the selection will depend on:

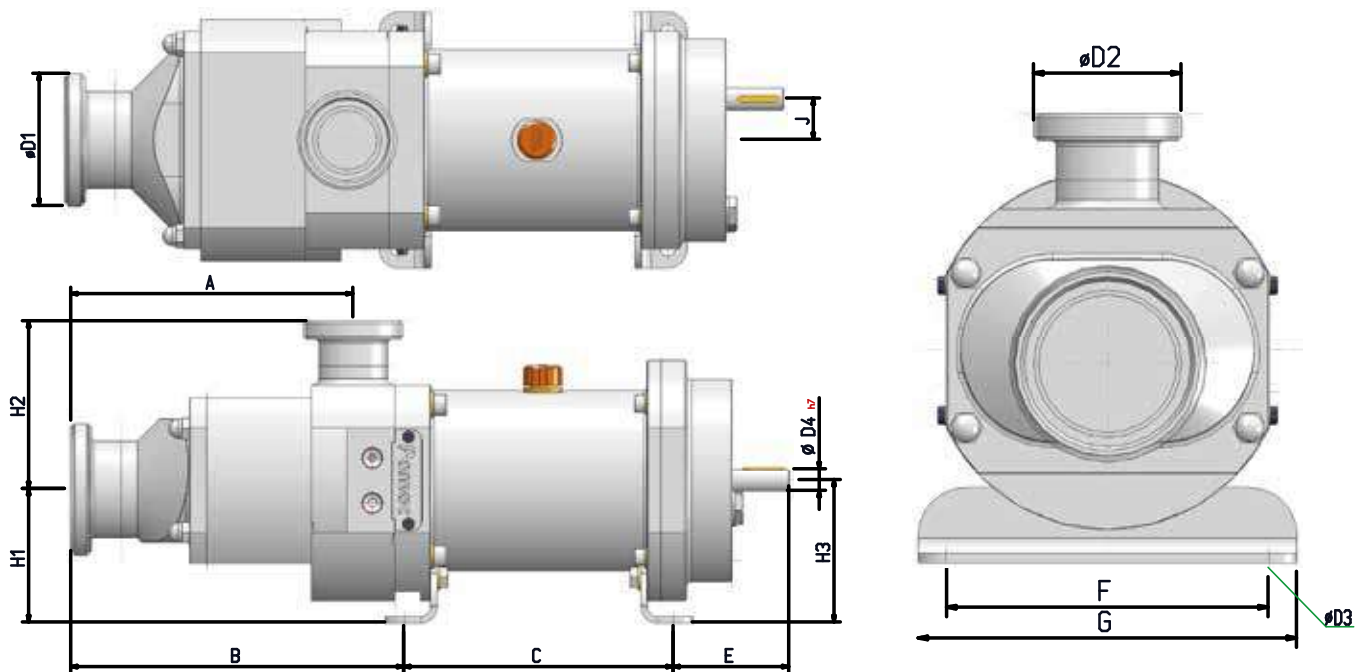
- capacity
- pressure
- viscosity
- specific mass
- type and size of solids

Each size of pump can be mounted with two different screw types, each with a specific pitch.

If we have your product data, we can select the best suitable pump for your pump application.

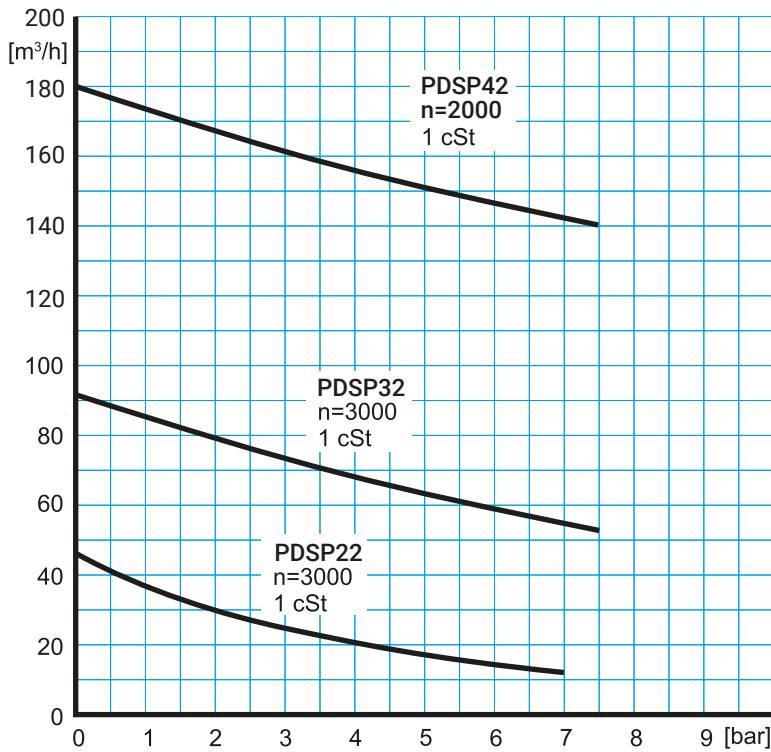


Dimensions



	A	B	C	D1	D2	D3	D4	E	F	G	H1	H2	H3	I	J
PDSP22	232	272	212	3"/DN80	2"/DN50	11	17	91	170	240	105	132	112	45	32,5
PDSP32	320	379	265	4"/DN100	3"/DN80	14	30	136	200	280	146	176	160	68	47,5
PDSP42	406	483	338	5"/DN125	4"/DN100	18	45	174	320	360	179	226	200	85	62,5

Curves



General performance

	PDSP22	PDSP32	PDSP42
max. differential pressure [bar]	16	16	16
max. flow rate [m ³ /h]	40	90	180
max. speed [rev/min]	3600	3600	2400
max. temperature [°C]	135	135	135
max. viscosity [mPa.s]	1000000	1000000	1000000
free passage [mm]	20/40	30/60	40/80
NPSH(R) [m]	<2	<2	<2

Shaft sealing systems

- Single mechanical seal
- Double mechanical seal
- Lip seal

Shaft seal materials

- SiC / SiC
- Tungsten / Tungsten

With Viton® / EPDM / PTFE / Kalrez® O-ring

Pomac Pumps

Pomac b.v

Feithspark 13 - 9356 BX Tolbert
 P.O. Box 32 - 9356 ZG Tolbert
 Holland
 tel +31 (0)594 512877

E-mail: info@pomacpumps.com
www.pomacpumps.com