

# 3M™ CT Series

## Stainless steel housings for cartridge filters

The 3M™ CT series cartridge filter housings are three-piece, all-metal housings with ring nut closures. These housings are designed to meet general industrial filtration needs.

These CT models are available with a 316 stainless steel head and a 316L stainless steel sump in one-high (CT101) or two-high (CT102) designs. All CT model heads have tapped mounting pads for the customer's own mounting arrangements if needed.

The CT housings have liquid flow rates of up to 98.4 l/min and a maximum operating pressure and temperature of 20 bar g at 110 °C. For air and gas service, the CT models have a maximum operating pressure and temperature of 10 bar g at 110 °C.



### Standard model specifications.

Table 4 lists standard model materials of construction and connection sizes. Table 2 lists dimensions and shipping weight. All dimensions are nominal and can be used for determining overall space requirements. To find a dimension, locate the model you want in the left column of Table 2 and the selected dimension symbol (A and H) in the top row. Where the column and row meet is the model's dimension.

### Operating parameters.

Table 1 lists standard model operating parameters for the CT models. The maximum operating pressure mentioned in this table 1 is the rating for the housing only. The actual filter operating temperature is dependent on the temperature capability of the filter cartridge.

### Cartridge requirements.

The CT101 models use a single 9 ¾" double open ended (DOE) filter cartridge whilst the CT102 models use a single 19 ½" DOE filter cartridge.

### Flow rates.

The maximum recommended flow rates in liter per minute (l/min) for the CT101 and 102 models are listed in table 3. Use the data in this table 3 only as a guide in establishing housing flow capability; do not use it for filter sizing. Once you know the flow rate for a selected cartridge, then use table 3 to check whether the housing's flow rates fall within the recommended guidelines. When selecting a filter's size, make sure you consider the amount of contaminant you want removed as well as the flow requirements; this ensures the longest possible cartridge life.

## Features and benefits

Rugged, three-piece, all metal construction	provides long service life and quick & easy cartridge change-out.
Design flexibility	Allows 1 or 2-high cartridge models for use with 9 ¾ or 19 ½" filter cartridges.
Drilled and tapped mounting holes	Ready for mounting bracket installation (bracket supplied with vessel).

# All-metal housing for general industrial filtration needs.

**Table 1: Operating parameters**

Maximum operating pressure	Maximum operating temperature	Flow rate (l/min)
20 bar g (Liquids)	110 °C	See table 3
10 bar g (Air/Gas)		

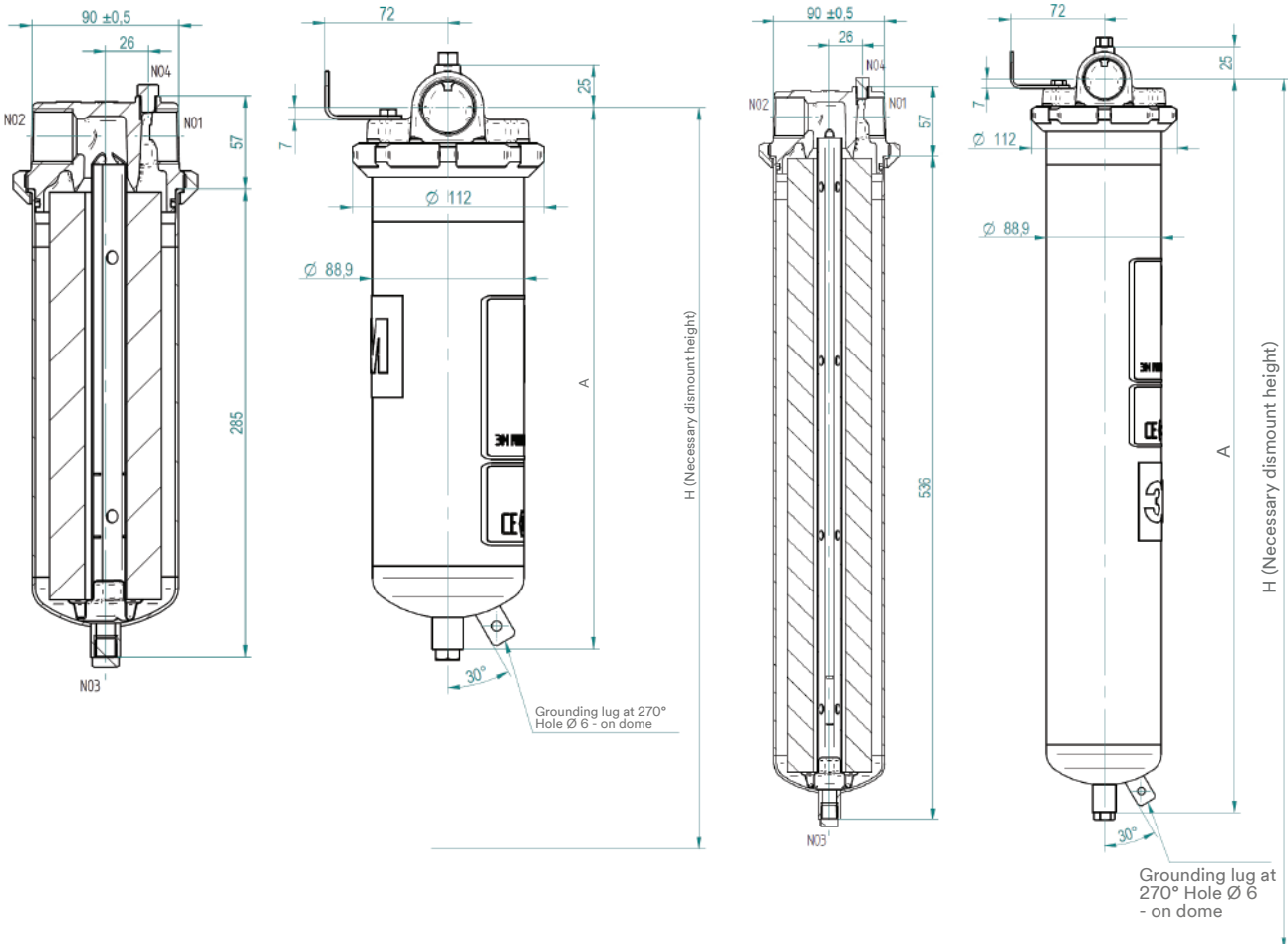
**Table 2: Dimensions**

Housing model	A (in mm)	H (in mm)	Shipping weight	Volume in Litre
CT101	317	350	3 kg	1.50
CT102	568	600	4 kg	2.90

## CT housing drawings

CT101 housing

CT102 housing



**Table 3: Maximum recommended flow rates (l/min)**

Inlet/Outlet	Water	80 SSU	150 SSU	300 SSU	600 SSU	1000 SSU
Rp 1"	98.4	83.3	75.7	68.1	60.6	49.2

**Table 4: Standard model connection sizes and materials of construction**

Connection sizes	CT101	CT102
Connection	Rp 1"	
Materials of construction	CT101	CT102
Head	316 stainless steel	
Head gasket	NB = nitrile (Contact your local 3M SPSD representative for other gasket materials)	
Ring nut	304L stainless steel	
Sump	316L stainless steel	
Centrepost with seal plate	316L stainless steel	
Vent - Rp 1/8"	316L stainless steel	
Drain and plug - Rp 1/4"	316L stainless steel	
Mounting bracket	304L stainless steel	

### Pressure Equipment Directive 2014/68/EU.

CT housings are in compliance with Non-Coded Article 4§3 "Sound Engineering Practice".

In addition, CT housings must be used for the filtration of Liquid Groups 1 & 2 and Gas Group 2, only at reduced operating pressures (see table 1). Do not use CT housings with Group 1 (Hazardous) Gas or Vapour applications.

### ATEX Directive 2014/34/EU.

These CT housings are approved for use in ATEX condition II 2 GD c IIC/IIIC.

The user of these housings must ensure that they are used in accordance with the requirements of these PED and ATEX directives at all times.

### Food Contact Directive (EC) 1935/2004.

The housing are constructed from 316 and 316L stainless steel (wetted parts in contact) and delivered with O-rings that are compliant to FDA (there are no other non-316 parts in contact).

The 3M™ CT Series filter housings are food contact compliant.

In addition to the standard Coreline housing range described here, the 3M™ CT housing can be built upon request to a wide range of specifications and design and construction standards. These routinely include PED Category IV and for use with Hazardous (Group 1) liquids and Gas/Vapour. Design and constructions codes can include (but are not limited to) EN13445, AD Merkblätter, ASME Div VIII & U Stamp and CODAP. Materials can include in addition to 316 (but not limited to) 304 and Uranus B6 Super Duplex steels.

Please consult your local 3M SPSD representative for any other classification or further information.

## Applicable Filter Cartridges

- Activated Carbon
- Betafine™ DP and XL Series
- Betafine™ PEG, PTG, PBG, PBP and PPG Series
- Betapure™ AU Series
- Betapure™ PK Series
- Betapure™ BK Series
- Betapure™ NT-TE Series
- Micro-Klean™ D Series
- LifeASSURE™ 045SA, 020SP, 045SP & 020ST Series
- LifeASSURE™ PFS and MFE Series

### Important Notice

The information described in this literature is accurate to the best of our knowledge. A variety of factors, however, can affect the performance of the Product(s) in a particular application, some of which are uniquely within your knowledge and control. INFORMATION IS SUPPLIED UPON THE CONDITION THAT THE PERSONS RECEIVING THE SAME WILL MAKE THEIR OWN DETERMINATION AS TO ITS SUITABILITY FOR THEIR USE. IN NO EVENT WILL 3M SPSD BE RESPONSIBLE FOR DAMAGES OF ANY NATURE WHATSOEVER RESULTING FROM THE USE OF OR RELIANCE UPON INFORMATION.

It is your responsibility to determine if additional testing or information is required and if this product is fit for a particular purpose and suitable in your specific application.

3M SPSD MAKES NO REPRESENTATIONS OR WARRANTIES, EITHER EXPRESS OR IMPLIED INCLUDING WITHOUT LIMITATION ANY WARRANTIES OF MERCHANTABILITY, FITNESS FOR A PARTICULAR PURPOSE OR OF ANY OTHER NATURE HEREUNDER WITH RESPECT TO INFORMATION OR THE PRODUCT TO WHICH INFORMATION REFERS.

### Limitation of Remedies and Liability

3M SPSD will not be liable for any loss or damage arising from the use of the Product(s), whether direct, indirect, special, incidental, or consequential, regardless of the legal theory asserted, including warranty, contract, negligence or strict liability. Some states do not allow the exclusion or limitation of incidental or consequential damages, so the above limitation may not apply to you.



### 3M Purification Separation and Purification Sciences Division

41 boulevard du Parc  
62231 Coquelles  
France

Tel +33 (0)3 21 19 19 80  
Fax +33 (0)3 21 46 44 96

Web [www.3M.eu/purification](http://www.3M.eu/purification)

3M is a trademark of 3M Company.  
All other trademarks are the property of their  
respective owners.

Data may be subject to change without further  
notice.

v.6 - DOC10007  
LITCTCT1.EU - 1118

© 3M 2018. All rights reserved.